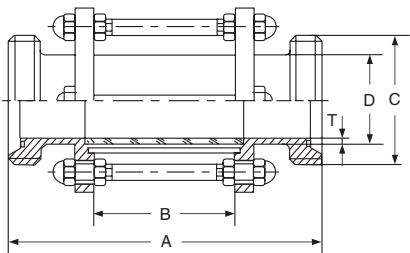




- ◆ Stainless Steel Sanitary Pipe Fitting
- ◆ Valve、Pump、Fluid Facility
- ◆ 不锈钢卫生级管件、阀门、泵、流体设备

### 螺纹式直通视镜 Threaded straight sight glass

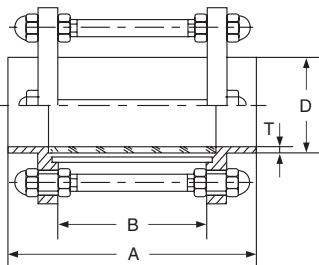
DIN | SSGS01



| Size  | DxT     | A   | B   | C          |  |  |
|-------|---------|-----|-----|------------|--|--|
| DN25  | 28x1.5  | 135 | 75  | RD52x1/6"  |  |  |
| DN32  | 34x1.5  | 135 | 75  | RD58x1/6"  |  |  |
| DN40  | 40x1.5  | 145 | 85  | RD65x1/6"  |  |  |
| DN50  | 52x1.5  | 149 | 85  | RD78x1/6"  |  |  |
| DN65  | 70x2.0  | 151 | 85  | RD95x1/6"  |  |  |
| DN80  | 85x2.0  | 163 | 85  | RD110x1/4" |  |  |
| DN100 | 104x2.0 | 178 | 100 | RD130x1/4" |  |  |
| DN125 | 129x2.0 | 220 | 120 | RD160x1/4" |  |  |
|       |         |     |     |            |  |  |
|       |         |     |     |            |  |  |
|       |         |     |     |            |  |  |

### 直通焊接式视镜 Welded straight sight glass

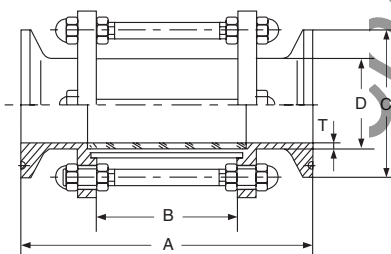
DIN | SSGS02



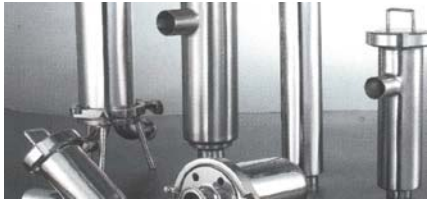
| Size  | DxT     | A   | B   |  |  |  |
|-------|---------|-----|-----|--|--|--|
| DN25  | 28x1.5  | 110 | 75  |  |  |  |
| DN32  | 34x1.5  | 110 | 75  |  |  |  |
| DN40  | 40x1.5  | 127 | 85  |  |  |  |
| DN50  | 52x1.5  | 129 | 85  |  |  |  |
| DN65  | 70x2.0  | 129 | 85  |  |  |  |
| DN80  | 85x2.0  | 143 | 85  |  |  |  |
| DN100 | 104x2.0 | 154 | 100 |  |  |  |
| DN125 | 129x2.0 | 186 | 120 |  |  |  |
|       |         |     |     |  |  |  |
|       |         |     |     |  |  |  |
|       |         |     |     |  |  |  |

### 卡箍式直通视镜 Clamped straight sight glass

DIN | SSGS03



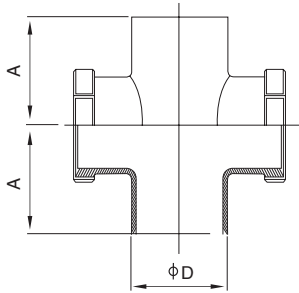
| Size  | DxT     | A   | B   | C     |  |  |
|-------|---------|-----|-----|-------|--|--|
| DN25  | 28x1.5  | 153 | 75  | 50.5  |  |  |
| DN32  | 34x1.5  | 153 | 75  | 50.5  |  |  |
| DN40  | 40x1.5  | 170 | 85  | 50.5  |  |  |
| DN50  | 52x1.5  | 172 | 85  | 64.0  |  |  |
| DN65  | 70x2.0  | 185 | 85  | 91.0  |  |  |
| DN80  | 85x2.0  | 199 | 85  | 106.0 |  |  |
| DN100 | 104x2.0 | 210 | 100 | 119.0 |  |  |
| DN125 | 129x2.0 | 242 | 120 | 155.0 |  |  |
|       |         |     |     |       |  |  |
|       |         |     |     |       |  |  |
|       |         |     |     |       |  |  |



- ◆ Stainless Steel Sanitary Pipe Fitting
- ◆ Valve、Pump、Fluid Facility
- ◆ 不锈钢卫生级管件、阀门、泵、流体设备

四通视镜 Cross sight glass

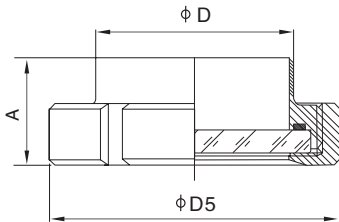
DIN SSGS04



| Size  | A   | D   |  |  |  |  |
|-------|-----|-----|--|--|--|--|
| DN25  | 50  | 28  |  |  |  |  |
| DN32  | 55  | 34  |  |  |  |  |
| DN40  | 60  | 40  |  |  |  |  |
| DN50  | 70  | 52  |  |  |  |  |
| DN65  | 80  | 70  |  |  |  |  |
| DN80  | 90  | 85  |  |  |  |  |
| DN100 | 100 | 104 |  |  |  |  |
|       |     |     |  |  |  |  |
|       |     |     |  |  |  |  |
|       |     |     |  |  |  |  |
|       |     |     |  |  |  |  |

活接视镜 Union-type sight glass

DIN SSGS05



| Size  | DIN11851 |     | D5  | DIN11850 |     |  |  |
|-------|----------|-----|-----|----------|-----|--|--|
|       | A        | D   |     | A        | D   |  |  |
| DN25  | 35       | 31  | 62  | 28       | 28  |  |  |
| DN32  | 38       | 37  | 68  | 28       | 34  |  |  |
| DN40  | 40       | 43  | 78  | 28       | 40  |  |  |
| DN50  | 42       | 55  | 92  | 28       | 52  |  |  |
| DN65  | 47       | 72  | 110 | 30       | 70  |  |  |
| DN80  | 52       | 87  | 126 | 33       | 85  |  |  |
| DN100 | 62       | 106 | 146 | 38       | 104 |  |  |
| DN125 | 52       | 132 | 178 | 40       | 129 |  |  |
| DN150 | 66       | 157 | 208 | 42       | 154 |  |  |
|       |          |     |     |          |     |  |  |
|       |          |     |     |          |     |  |  |
|       |          |     |     |          |     |  |  |

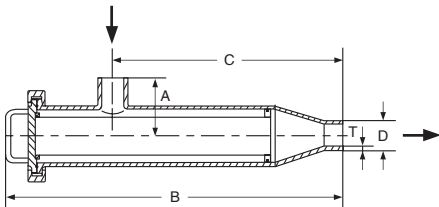


- ◆ Stainless Steel Sanitary Pipe Fitting
- ◆ Valve、Pump、Fluid Facility
- ◆ 不锈钢卫生级管件、阀门、泵、流体设备

卫生级过滤器  
 SANITARY STRAINER

### 焊接角式过滤器 Welded angle-type strainer

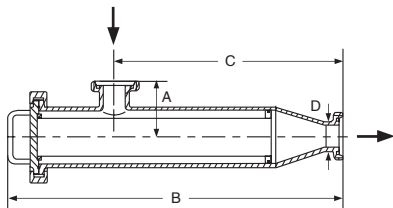
DIN | SSS01



| Size  | DxT     | A   | B   | C   |  |  |
|-------|---------|-----|-----|-----|--|--|
| DN25  | 28x1.5  | 60  | 539 | 391 |  |  |
| DN32  | 34x1.5  | 65  | 530 | 382 |  |  |
| DN40  | 40x1.5  | 70  | 521 | 373 |  |  |
| DN50  | 52x1.5  | 85  | 566 | 394 |  |  |
| DN65  | 70x2.0  | 85  | 540 | 368 |  |  |
| DN80  | 85x2.0  | 95  | 747 | 543 |  |  |
| DN100 | 104x2.0 | 105 | 720 | 516 |  |  |
|       |         |     |     |     |  |  |
|       |         |     |     |     |  |  |
|       |         |     |     |     |  |  |

### 螺纹角式过滤器 Threaded angle-type strainer

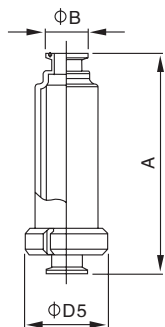
DIN | SSS02



| Size  | DxT     | A   | B   | C   |  |  |
|-------|---------|-----|-----|-----|--|--|
| DN25  | 28x1.5  | 80  | 561 | 413 |  |  |
| DN32  | 34x1.5  | 80  | 552 | 404 |  |  |
| DN40  | 40x1.5  | 85  | 543 | 395 |  |  |
| DN50  | 52x1.5  | 95  | 589 | 417 |  |  |
| DN65  | 70x2.0  | 100 | 565 | 393 |  |  |
| DN80  | 85x2.0  | 120 | 777 | 573 |  |  |
| DN100 | 104x2.0 | 135 | 750 | 546 |  |  |
|       |         |     |     |     |  |  |
|       |         |     |     |     |  |  |
|       |         |     |     |     |  |  |

### 焊接式直通过滤器 Welded straight strainer

DIN | SSS03



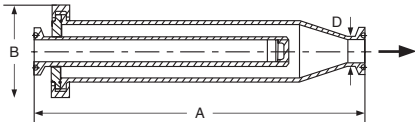
| Size  | A   | B   | D5  |  |  |
|-------|-----|-----|-----|--|--|
| DN25  | 306 | 28  | 95  |  |  |
| DN32  | 306 | 34  | 110 |  |  |
| DN40  | 306 | 40  | 110 |  |  |
| DN50  | 406 | 52  | 110 |  |  |
| DN65  | 503 | 70  | 127 |  |  |
| DN80  | 561 | 85  | 148 |  |  |
| DN100 | 662 | 104 | 178 |  |  |
|       |     |     |     |  |  |
|       |     |     |     |  |  |
|       |     |     |     |  |  |



- ◆ Stainless Steel Sanitary Pipe Fitting
- ◆ Valve、Pump、Fluid Facility
- ◆ 不锈钢卫生级管件、阀门、泵、流体设备

卡箍式直通过滤器 Clamped straight strainer

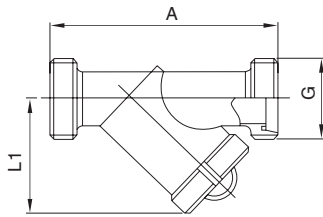
DIN | SSS04



| Size  | DxT     | A   | B     |  |  |  |
|-------|---------|-----|-------|--|--|--|
| DN25  | 28x1.5  | 200 | 93.0  |  |  |  |
| DN32  | 34x1.5  | 285 | 106.5 |  |  |  |
| DN40  | 40x1.5  | 285 | 106.5 |  |  |  |
| DN50  | 52x1.5  | 350 | 106.5 |  |  |  |
| DN65  | 70x2.0  | 450 | 136.0 |  |  |  |
| DN80  | 85x2.0  | 500 | 200.0 |  |  |  |
| DN100 | 104x2.0 | 600 | 200.0 |  |  |  |
|       |         |     |       |  |  |  |
|       |         |     |       |  |  |  |
|       |         |     |       |  |  |  |
|       |         |     |       |  |  |  |

螺纹式Y型过滤器 Threaded Y-type strainer

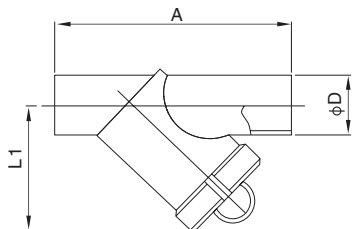
DIN | SSS05



| Size  | A   | L1  | G         |  |  |  |
|-------|-----|-----|-----------|--|--|--|
| DN25  | 125 | 95  | RD52x1/6  |  |  |  |
| DN32  | 140 | 104 | RD58x1/6  |  |  |  |
| DN40  | 165 | 110 | RD65x1/6  |  |  |  |
| DN50  | 195 | 140 | RD78x1/6  |  |  |  |
| DN65  | 230 | 185 | RD95x1/6  |  |  |  |
| DN80  | 280 | 220 | RD110x1/4 |  |  |  |
| DN100 | 340 | 248 | RD130x1/4 |  |  |  |
|       |     |     |           |  |  |  |
|       |     |     |           |  |  |  |
|       |     |     |           |  |  |  |
|       |     |     |           |  |  |  |

焊接式Y型过滤器 Welded Y-type strainer

DIN | SSS06



| Size  | A   | L1  | D   |  |  |  |
|-------|-----|-----|-----|--|--|--|
| DN25  | 125 | 28  | 95  |  |  |  |
| DN32  | 140 | 34  | 104 |  |  |  |
| DN40  | 165 | 40  | 110 |  |  |  |
| DN50  | 195 | 52  | 140 |  |  |  |
| DN65  | 230 | 70  | 185 |  |  |  |
| DN80  | 280 | 85  | 220 |  |  |  |
| DN100 | 340 | 104 | 248 |  |  |  |
|       |     |     |     |  |  |  |
|       |     |     |     |  |  |  |
|       |     |     |     |  |  |  |
|       |     |     |     |  |  |  |

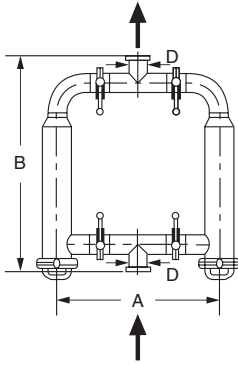


- ◆ Stainless Steel Sanitary Pipe Fitting
- ◆ Valve、Pump、Fluid Facility
- ◆ 不锈钢卫生级管件、阀门、泵、流体设备

SANITARY STRAINER  
卫生级过滤器

螺式双联过滤器 Male Strainer Combination

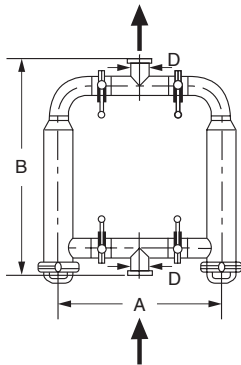
DIN SSS07



| Size  | DxT     | A   | B   |  |  |  |
|-------|---------|-----|-----|--|--|--|
| DN25  | 28x1.5  | 305 | 570 |  |  |  |
| DN32  | 34x1.5  | 320 | 525 |  |  |  |
| DN40  | 40x1.5  | 365 | 600 |  |  |  |
| DN50  | 52x1.5  | 420 | 590 |  |  |  |
| DN65  | 70x2.0  | 455 | 650 |  |  |  |
| DN80  | 85x2.0  | 555 | 710 |  |  |  |
| DN100 | 104x2.0 | 560 | 775 |  |  |  |
|       |         |     |     |  |  |  |
|       |         |     |     |  |  |  |
|       |         |     |     |  |  |  |
|       |         |     |     |  |  |  |

卡式双联过滤器 Ferrule Strainer Combination

DIN SSS08

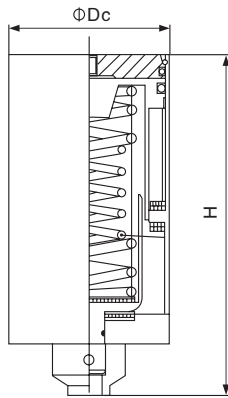


| Size  | DxT     | A   | B   |  |  |  |
|-------|---------|-----|-----|--|--|--|
| DN25  | 28x1.5  | 305 | 570 |  |  |  |
| DN32  | 34x1.5  | 320 | 525 |  |  |  |
| DN40  | 40x1.5  | 365 | 600 |  |  |  |
| DN50  | 52x1.5  | 420 | 590 |  |  |  |
| DN65  | 70x2.0  | 455 | 650 |  |  |  |
| DN80  | 85x2.0  | 555 | 710 |  |  |  |
| DN100 | 104x2.0 | 560 | 775 |  |  |  |
|       |         |     |     |  |  |  |
|       |         |     |     |  |  |  |
|       |         |     |     |  |  |  |
|       |         |     |     |  |  |  |



- ◆ Stainless Steel Sanitary Pipe Fitting
- ◆ Valve、Pump、Fluid Facility
- ◆ 不锈钢卫生级管件、阀门、泵、流体设备

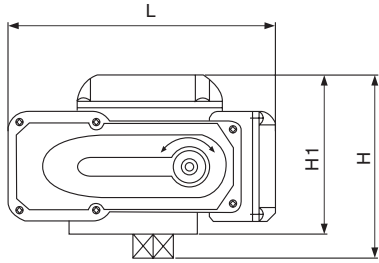
不锈钢气动执行器 | No.01  
Stainless steel pneumatic actuator



| Size | Dc    | H     | 可配蝶阀<br>match with butterfly valve |       | 可配球阀<br>match with ball valve |         |
|------|-------|-------|------------------------------------|-------|-------------------------------|---------|
|      |       |       |                                    |       |                               |         |
| Φ85  | 85.0  | 180.5 | DN20-DN100                         | 1"-4" | DN20-DN50                     | 1"-2"   |
| Φ133 | 133.0 | 298.0 | DN125-DN200                        | 5"-8" | DN65-DN80                     | 2.5"-3" |
|      |       |       |                                    |       |                               |         |
|      |       |       |                                    |       |                               |         |
|      |       |       |                                    |       |                               |         |
|      |       |       |                                    |       |                               |         |
|      |       |       |                                    |       |                               |         |
|      |       |       |                                    |       |                               |         |
|      |       |       |                                    |       |                               |         |
|      |       |       |                                    |       |                               |         |
|      |       |       |                                    |       |                               |         |
|      |       |       |                                    |       |                               |         |

- ★气动装置有三种标准:常开 常闭 气/气
- ★控制设备:可装配信号反馈装置、电磁阀等,通过这些附件可与自动化系统远程控制系统等相连接
- ★Three types of pneumatic device: normally opened, opened and closed by two air flues separately.
- ★Control set: Can match with feedback device、solenoid valve etc., Which help to connet with the automatic system and remote control system.

电动执行器 | No.02  
Electric actuator



| Size  | L     | H     | H1    | 可配蝶阀<br>match with butterfly valve |       | 可配球阀<br>match with ball valve |         |
|-------|-------|-------|-------|------------------------------------|-------|-------------------------------|---------|
|       |       |       |       |                                    |       |                               |         |
| HL-05 | 157.5 | 115.0 | 103.0 | DN20-DN100                         | 1"-4" | DN20-DN50                     | 1"-2"   |
| HL-10 | 208.0 | 124.0 | 115.0 | DN125-DN200                        | 5"-8" | DN65-DN80                     | 2.5"-3" |
| HL-20 | 280.0 | 135.0 | 109.0 |                                    |       | DN100                         | 4"      |
|       |       |       |       |                                    |       |                               |         |
|       |       |       |       |                                    |       |                               |         |
|       |       |       |       |                                    |       |                               |         |
|       |       |       |       |                                    |       |                               |         |
|       |       |       |       |                                    |       |                               |         |
|       |       |       |       |                                    |       |                               |         |
|       |       |       |       |                                    |       |                               |         |
|       |       |       |       |                                    |       |                               |         |
|       |       |       |       |                                    |       |                               |         |
|       |       |       |       |                                    |       |                               |         |

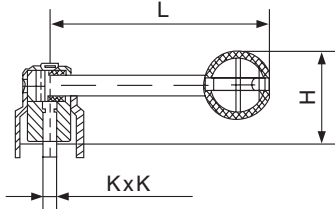
- ★电动装置:开关到位灯,无源接触点信号,机内智能控制,1K 5K电位计
- ★Electric device: on-off indicator light, passive contact signal, intelligent control, 1K,5K potentiometer.



◆ Stainless Steel Sanitary Pipe Fitting  
◆ Valve、Pump、Fluid Facility  
◆ 不锈钢卫生级管件、阀门、泵、流体设备

四方压盖拉杆手柄 | BVH01  
Square Pulling handle

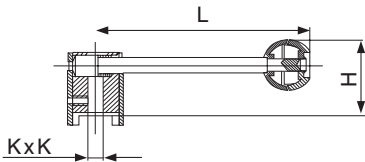
★调节方式:2个定位、3个定位、4个定位;  
★Adjustment: two positions, three positions, four positions



| K x K     | H    | L     | 可配蝶阀<br>match with butterfly valve |            |  |  |
|-----------|------|-------|------------------------------------|------------|--|--|
|           |      |       |                                    |            |  |  |
| 8.20x8.20 | 46.0 | 125.0 | 1/2"-2"                            | DN15-DN50  |  |  |
| 10.0x10.0 | 50.0 | 145.0 | 2 1/2"-3"                          | DN65       |  |  |
| 10.0x10.0 | 54.0 | 165.0 | 3 1/2"-4"                          | DN65       |  |  |
| 12.0x12.0 | 63.0 | 180.0 | 5"                                 | DN80-DN100 |  |  |
| 12.0x12.0 | 63.0 | 200.0 | 6"-8"                              | DN200      |  |  |
|           |      |       |                                    |            |  |  |
|           |      |       |                                    |            |  |  |

圆压盖拉杆手柄 | BVH02  
Circular Pulling handle

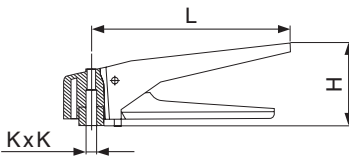
★调节方式:2个定位、3个定位、4个定位; ★Adjustment: two positions, three positions, four positions  
★该手柄可装配所有蝶阀、蝶式球阀。★The handle can match with all butterfly valves and butterfly-type ball valves



| K x K     | H    | L     | 可配蝶阀<br>match with butterfly valve |           | 可配蝶式球阀<br>match with butterfly-type ball valve |           |
|-----------|------|-------|------------------------------------|-----------|--|-----------|
|           |      |       |                                    |           |  |           |
| 8.20x8.20 | 41.0 | 120.0 | 1/2"-1"                            | DN15-DN50 | 1/2"-1"  | DN15-DN25 |
| 10.0x10.0 | 44.0 | 150.0 | 1 1/2"                             | DN65-DN80 | 1 1/4"-2"                                      | DN32-DN50 |
| 10.0x10.0 | 44.0 | 170.0 | -4"                                | DN100     |  |           |
|           |      |       |                                    |           |  |           |
|           |      |       |                                    |           |  |           |

多位塑料手柄 | BVH03  
Multi-position plastic handle

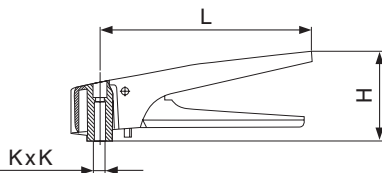
★调节方式:可通过15 位置调节开启大小; ★该手柄可装配所有蝶阀; ★规格: DN20-100, 1"-4"  
★Adjustment:adjust open distance with 15 position.★The handle can assemble all of butterfly valves ★Size:DN20-100, 1"-4"



| K x K     | H    | L     | 可配蝶阀<br>match with butterfly valve |            | 可配蝶式球阀<br>match with butterfly-type ball valve |  |
|-----------|------|-------|------------------------------------|------------|--|--|
|           |      |       |                                    |            |  |  |
| 8.20x8.20 | 42.0 | 132.0 | 1/2"-2"                            | DN15-DN50  |  |  |
| 10.0x10.0 | 46.0 | 155.0 | 2 1/2"-4"                          | DN65-DN100 |  |  |
|           |      |       |                                    |            |  |  |
|           |      |       |                                    |            |  |  |

多位不锈钢手柄 | BVH04  
Multi-position stainless steel handle

★调节方式:可通过15 位置调节开启大小; ★该手柄可装配蝶阀、蝶式球阀; ★规格: DN20-150, 1"-6"  
★Adjustment:Can adjust the open scope by each 15 position.★The handle can match with all butterfly valves and butterfly-type ball valves. ★Size:DN20-150, 1"-6"



| K x K     | H    | L     | 可配蝶阀<br>match with butterfly valve |             | 可配蝶式球阀<br>match with butterfly-type ball valve |           |
|-----------|------|-------|------------------------------------|-------------|--|-----------|
|           |      |       |                                    |             |  |           |
| 8.20x8.20 | 55.0 | 155.0 | 1/2"-2"                            | DN15-DN50   | 1/2"-1"  | DN15-DN25 |
| 10.0x10.0 | 55.0 | 155.0 | 2 1/2"-4"                          | DN65-DN100  | 1 1/4"-2"                                      | DN32-DN50 |
| 12.0x12.0 | 55.0 | 155.0 | 5"-6"                              | DN125-DN150 |  |           |
|           |      |       |                                    |             |  |           |
|           |      |       |                                    |             |  |           |

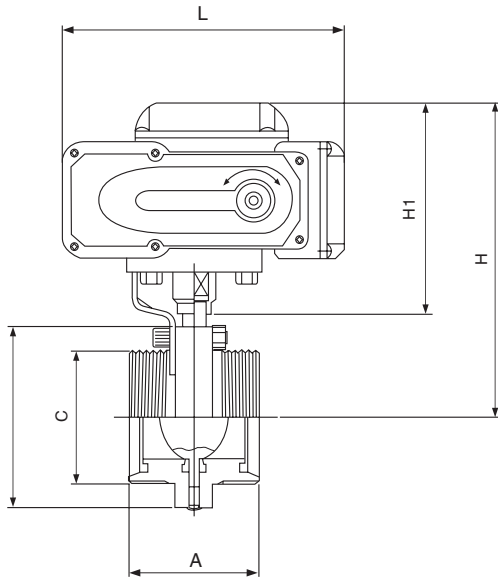


- ◆ Stainless Steel Sanitary Pipe Fitting
- ◆ Valve、Pump、Fluid Facility
- ◆ 不锈钢卫生级管件、阀门、泵、流体设备

卫生级阀门  
SANITARY VALVE

电动蝶阀 Electric butterfly valve

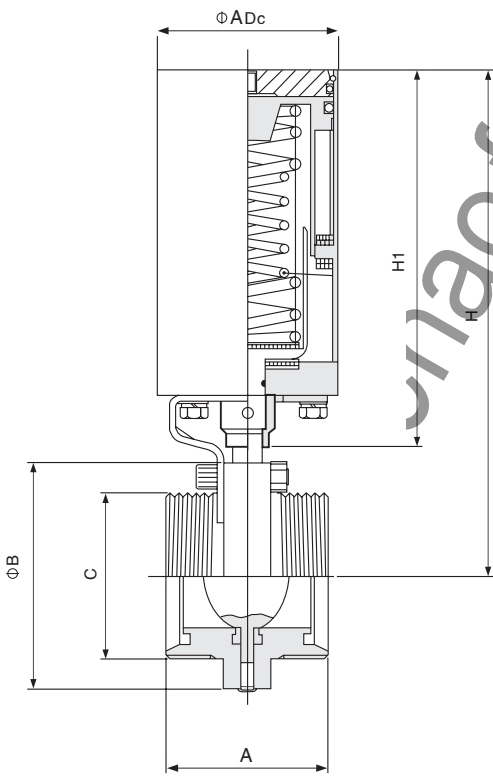
DIN SBV01



| Size  | A     | B     | C       | L     | H     | H1    |
|-------|-------|-------|---------|-------|-------|-------|
| DN15  | 66.0  | 78.0  | 34x1/8  | 157.5 | 170.0 | 131.0 |
| DN20  | 66.0  | 78.0  | 44x1/6  | 157.5 | 170.0 | 131.0 |
| DN25  | 66.0  | 78.0  | 52x1/6  | 157.5 | 170.0 | 131.0 |
| DN32  | 70.0  | 82.0  | 58x1/6  | 157.5 | 172.0 | 131.0 |
| DN40  | 74.0  | 88.0  | 65x1/6  | 157.5 | 175.0 | 131.0 |
| DN50  | 76.0  | 110.0 | 78x1/6  | 157.5 | 186.0 | 131.0 |
| DN65  | 84.0  | 127.0 | 95x1/6  | 208.0 | 208.5 | 145.0 |
| DN80  | 90.0  | 140.0 | 110x1/4 | 208.0 | 215.0 | 145.0 |
| DN100 | 108.0 | 160.0 | 130x1/4 | 208.0 | 225.0 | 145.0 |
| DN125 | 130.0 | 190.0 | 160x1/4 | 208.0 | 240.0 | 145.0 |
| DN150 | 150.0 | 225.0 | 190x1/4 | 208.0 | 257.5 | 145.0 |
|       |       |       |         |       |       |       |
|       |       |       |         |       |       |       |
|       |       |       |         |       |       |       |
|       |       |       |         |       |       |       |
|       |       |       |         |       |       |       |
|       |       |       |         |       |       |       |
|       |       |       |         |       |       |       |
|       |       |       |         |       |       |       |
|       |       |       |         |       |       |       |
|       |       |       |         |       |       |       |
|       |       |       |         |       |       |       |
|       |       |       |         |       |       |       |
|       |       |       |         |       |       |       |

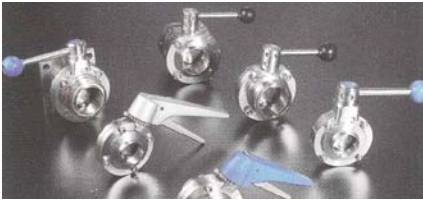
气动蝶阀 Pneumatic butterfly valve

DIN SBV02



| Size  | A     | B     | C       | D     | H     | H1    |
|-------|-------|-------|---------|-------|-------|-------|
| DN15  | 66.0  | 78.0  | 34x1/8  | 85.0  | 222.5 | 180.5 |
| DN20  | 66.0  | 78.0  | 44x1/6  | 85.0  | 222.5 | 180.5 |
| DN25  | 66.0  | 78.0  | 52x1/6  | 85.0  | 222.5 | 180.5 |
| DN32  | 70.0  | 82.0  | 58x1/6  | 85.0  | 224.5 | 180.5 |
| DN40  | 74.0  | 88.0  | 65x1/6  | 85.0  | 227.5 | 180.5 |
| DN50  | 76.0  | 110.0 | 78x1/6  | 85.0  | 238.5 | 180.5 |
| DN65  | 84.0  | 127.0 | 95x1/6  | 85.0  | 247.0 | 180.5 |
| DN80  | 90.0  | 140.0 | 110x1/4 | 85.0  | 253.5 | 180.5 |
| DN100 | 108.0 | 160.0 | 130x1/4 | 85.0  | 263.5 | 180.5 |
| DN125 | 130.0 | 190.0 | 160x1/4 | 133.0 | 418.0 | 298.0 |
| DN150 | 150.0 | 225.0 | 190x1/4 | 133.0 | 435.5 | 298.0 |
|       |       |       |         |       |       |       |
|       |       |       |         |       |       |       |
|       |       |       |         |       |       |       |
|       |       |       |         |       |       |       |
|       |       |       |         |       |       |       |
|       |       |       |         |       |       |       |
|       |       |       |         |       |       |       |
|       |       |       |         |       |       |       |
|       |       |       |         |       |       |       |
|       |       |       |         |       |       |       |
|       |       |       |         |       |       |       |
|       |       |       |         |       |       |       |
|       |       |       |         |       |       |       |
|       |       |       |         |       |       |       |
|       |       |       |         |       |       |       |
|       |       |       |         |       |       |       |
|       |       |       |         |       |       |       |

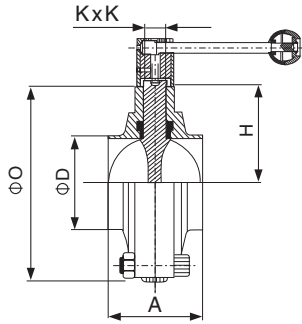




- ◆ Stainless Steel Sanitary Pipe Fitting
- ◆ Valve、Pump、Fluid Facility
- ◆ 不锈钢卫生级管件、阀门、泵、流体设备

焊接式蝶阀 Welded butterfly valve

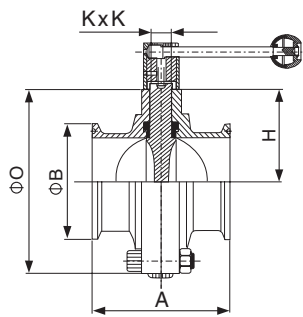
DIN | SBV03



| Size  | O     | D     | K x K     | A    | H     |
|-------|-------|-------|-----------|------|-------|
| DN15  | 78.0  | 18.0  | 8.2x8.2   | 50.0 | 39.0  |
| DN20  | 78.0  | 22.0  | 8.2x8.2   | 50.0 | 39.0  |
| DN25  | 78.0  | 28.0  | 8.2x8.2   | 50.0 | 39.0  |
| DN32  | 82.0  | 34.0  | 8.2x8.2   | 50.0 | 41.0  |
| DN40  | 88.0  | 40.0  | 8.2x8.2   | 50.0 | 44.0  |
| DN50  | 110.0 | 52.0  | 8.2x8.2   | 52.0 | 55.0  |
| DN65  | 127.0 | 70.0  | 10.0x10.0 | 58.0 | 63.5  |
| DN80  | 140.0 | 85.0  | 10.0x10.0 | 64.0 | 70.0  |
| DN100 | 160.0 | 104.0 | 10.0x10.0 | 66.0 | 80.0  |
| DN125 | 190.0 | 129.0 | 12.0x12.0 | 74.0 | 95.0  |
| DN150 | 225.0 | 154.0 | 12.0x12.0 | 80.0 | 112.5 |

卡箍式蝶阀 Clamped butterfly valve

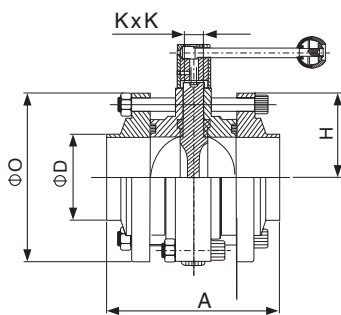
DIN | SBV04



| Size  | O     | B     | K x K     | A     | H     |
|-------|-------|-------|-----------|-------|-------|
| DN15  | 78.0  | 34.0  | 8.2x8.2   | 68.0  | 39.0  |
| DN20  | 78.0  | 34.0  | 8.2x8.2   | 68.0  | 39.0  |
| DN25  | 78.0  | 50.5  | 8.2x8.2   | 68.0  | 39.0  |
| DN32  | 80.0  | 50.5  | 8.2x8.2   | 72.0  | 41.0  |
| DN40  | 80.0  | 50.5  | 8.2x8.2   | 72.0  | 44.0  |
| DN50  | 100.0 | 64.0  | 8.2x8.2   | 74.0  | 55.0  |
| DN65  | 117.0 | 91.0  | 10.0x10.0 | 80.0  | 63.5  |
| DN80  | 140.0 | 106.0 | 10.0x10.0 | 86.0  | 70.0  |
| DN100 | 160.0 | 119.0 | 10.0x10.0 | 90.0  | 80.0  |
| DN125 | 190.0 | 145.0 | 12.0x12.0 | 114.0 | 95.0  |
| DN150 | 225.0 | 167.0 | 12.0x12.0 | 120.0 | 112.5 |

三片式蝶阀 Three-piece butterfly valve

DIN | SBV05



| Size  | O     | D     | K x K     | A     | H     |
|-------|-------|-------|-----------|-------|-------|
| DN15  | 78.0  | 18.0  | 8.2x8.2   | 100.0 | 39.0  |
| DN20  | 78.0  | 22.0  | 8.2x8.2   | 100.0 | 39.0  |
| DN25  | 78.0  | 28.0  | 8.2x8.2   | 100.0 | 39.0  |
| DN32  | 82.0  | 34.0  | 8.2x8.2   | 100.0 | 41.0  |
| DN40  | 88.0  | 40.0  | 8.2x8.2   | 100.0 | 44.0  |
| DN50  | 110.0 | 52.0  | 8.2x8.2   | 100.0 | 55.0  |
| DN65  | 127.0 | 70.0  | 10.0x10.0 | 100.0 | 63.5  |
| DN80  | 140.0 | 85.0  | 10.0x10.0 | 100.0 | 70.0  |
| DN100 | 160.0 | 104.0 | 10.0x10.0 | 108.0 | 80.0  |
| DN125 | 190.0 | 129.0 | 12.0x12.0 | 130.0 | 95.0  |
| DN150 | 225.0 | 154.0 | 12.0x12.0 | 140.0 | 112.5 |

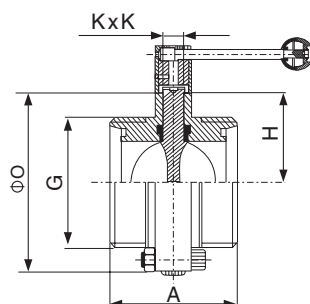


- ◆ Stainless Steel Sanitary Pipe Fitting
- ◆ Valve、Pump、Fluid Facility
- ◆ 不锈钢卫生级管件、阀门、泵、流体设备

卫生级阀门  
SANITARY VALVE

### 螺纹式蝶阀 Threaded butterfly valve

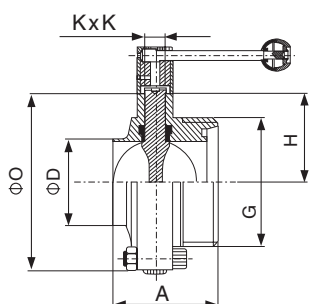
DIN | SBV06



| Size  | O     | G         | K x K     | A    | H     |
|-------|-------|-----------|-----------|------|-------|
| DN15  | 78.0  | RD34x1/8  | 8.2x8.2   | 68.0 | 39.0  |
| DN20  | 78.0  | RD44x1/6  | 8.2x8.2   | 68.0 | 39.0  |
| DN25  | 78.0  | RD52x1/6  | 8.2x8.2   | 68.0 | 39.0  |
| DN32  | 82.0  | RD58x1/6  | 8.2x8.2   | 68.0 | 41.0  |
| DN40  | 88.0  | RD65x1/6  | 8.2x8.2   | 70.0 | 44.0  |
| DN50  | 110.0 | RD78x1/6  | 8.2x8.2   | 80.0 | 55.0  |
| DN65  | 127.0 | RD95x1/6  | 10.0x10.0 | 80.0 | 63.5  |
| DN80  | 140.0 | RD110x1/4 | 10.0x10.0 | 86.0 | 70.0  |
| DN100 | 160.0 | RD130x1/4 | 10.0x10.0 | 88.0 | 80.0  |
| DN125 | 190.0 | RD160x1/4 | 12.0x12.0 | 90.0 | 95.0  |
| DN150 | 225.0 | RD190x1/4 | 12.0x12.0 | 90.0 | 112.5 |

### 单焊单螺蝶阀 Welded/ Threaded butterfly valve

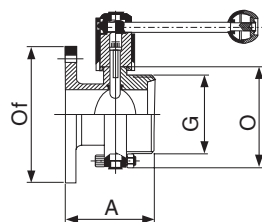
DIN | SBV07



| Size  | O     | D     | G         | K x K     | A    | H     |
|-------|-------|-------|-----------|-----------|------|-------|
| DN15  | 78.0  | 18.0  | RD34x1/8  | 8.2x8.2   | 59.0 | 39.0  |
| DN20  | 78.0  | 22.0  | RD44x1/6  | 8.2x8.2   | 59.0 | 39.0  |
| DN25  | 78.0  | 28.0  | RD52x1/6  | 8.2x8.2   | 59.0 | 39.0  |
| DN32  | 82.0  | 34.0  | RD58x1/6  | 8.2x8.2   | 59.0 | 41.0  |
| DN40  | 88.0  | 40.0  | RD65x1/6  | 8.2x8.2   | 60.0 | 44.0  |
| DN50  | 110.0 | 52.0  | RD78x1/6  | 8.2x8.2   | 66.0 | 55.0  |
| DN65  | 127.0 | 70.0  | RD95x1/6  | 10.0x10.0 | 69.0 | 63.5  |
| DN80  | 140.0 | 85.0  | RD110x1/4 | 10.0x10.0 | 75.0 | 70.0  |
| DN100 | 160.0 | 104.0 | RD130x1/4 | 10.0x10.0 | 77.0 | 80.0  |
| DN125 | 190.0 | 129.0 | RD160x1/4 | 12.0x12.0 | 82.0 | 95.0  |
| DN150 | 225.0 | 154.0 | RD190x1/4 | 12.0x12.0 | 85.0 | 112.5 |

### 单四方单螺纹蝶阀 Square-flanged/ threaded butterfly valve

DIN | SBV08



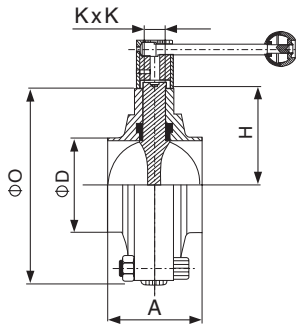
| Size | O     | G        | Of      | A    |
|------|-------|----------|---------|------|
| DN15 | 78.0  | RD34x1/8 | 100x100 | 84.0 |
| DN20 | 78.0  | RD44x1/6 | 100x100 | 84.0 |
| DN25 | 78.0  | RD52x1/6 | 100x100 | 84.0 |
| DN32 | 82.0  | RD58x1/6 | 100x100 | 84.0 |
| DN40 | 88.0  | RD65x1/6 | 100x100 | 85.0 |
| DN50 | 110.0 | RD78x1/6 | 100x100 | 90.0 |
|      |       |          |         |      |
|      |       |          |         |      |
|      |       |          |         |      |
|      |       |          |         |      |
|      |       |          |         |      |



- ◆ Stainless Steel Sanitary Pipe Fitting
- ◆ Valve、Pump、Fluid Facility
- ◆ 不锈钢卫生级管件、阀门、泵、流体设备

**焊接式蝶阀 Welded butterfly valve**

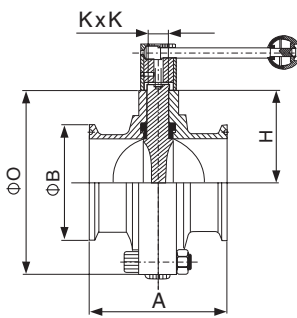
SMS | SBV09



| Size | O     | D     | K x K     | A    | H    |
|------|-------|-------|-----------|------|------|
| 19   | 78.0  | 19.0  | 8.2x8.2   | 50.0 | 39.0 |
| 25   | 78.0  | 25.4  | 8.2x8.2   | 50.0 | 39.0 |
| 32   | 80.0  | 31.8  | 8.2x8.2   | 50.0 | 40.0 |
| 38   | 80.0  | 38.1  | 8.2x8.2   | 50.0 | 40.0 |
| 51   | 100.0 | 50.8  | 8.2x8.2   | 50.0 | 50.0 |
| 63   | 117.0 | 63.5  | 10.0x10.0 | 56.0 | 57.0 |
| 76   | 129.0 | 76.2  | 10.0x10.0 | 60.0 | 64.5 |
| 89   | 140.0 | 88.9  | 10.0x10.0 | 62.0 | 70.0 |
| 102  | 160.0 | 101.6 | 10.0x10.0 | 66.0 | 80.0 |
|      |       |       |           |      |      |
|      |       |       |           |      |      |
|      |       |       |           |      |      |

**快装式蝶阀 Clamed butterfly valve**

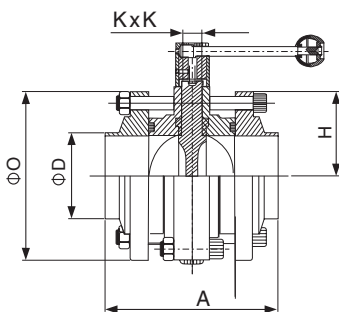
SMS | SBV10



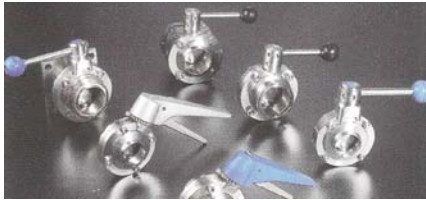
| Size | O     | B     | K x K     | A    | H    |
|------|-------|-------|-----------|------|------|
| 19   | 78.0  | 50.5  | 8.2x8.2   | 68.0 | 39.0 |
| 25   | 78.0  | 50.5  | 8.2x8.2   | 68.0 | 39.0 |
| 32   | 80.0  | 50.5  | 8.2x8.2   | 72.0 | 40.0 |
| 38   | 80.0  | 50.5  | 8.2x8.2   | 72.0 | 40.0 |
| 51   | 100.0 | 64.0  | 8.2x8.2   | 74.0 | 50.0 |
| 63   | 117.0 | 77.5  | 10.0x10.0 | 80.0 | 57.0 |
| 76   | 129.0 | 91.0  | 10.0x10.0 | 80.0 | 64.5 |
| 89   | 140.0 | 106.0 | 10.0x10.0 | 86.0 | 70.0 |
| 102  | 160.0 | 119.0 | 10.0x10.0 | 90.0 | 80.0 |
|      |       |       |           |      |      |
|      |       |       |           |      |      |
|      |       |       |           |      |      |

**三片式蝶阀 Three-piece butterfly valve**

SMS | SBV11



| Size | O     | D     | K x K     | A     | H    |
|------|-------|-------|-----------|-------|------|
| 19   | 78.0  | 19.1  | 8.2x8.2   | 100.0 | 39.0 |
| 25   | 78.0  | 25.2  | 8.2x8.2   | 100.0 | 39.0 |
| 32   | 80.0  | 31.8  | 8.2x8.2   | 100.0 | 40.0 |
| 38   | 80.0  | 38.1  | 8.2x8.2   | 100.0 | 40.0 |
| 51   | 100.0 | 50.8  | 8.2x8.2   | 100.0 | 50.0 |
| 63   | 117.0 | 63.5  | 10.0x10.0 | 100.0 | 57.0 |
| 76   | 129.0 | 76.2  | 10.0x10.0 | 100.0 | 64.5 |
| 89   | 140.0 | 88.9  | 10.0x10.0 | 100.0 | 70.0 |
| 102  | 160.0 | 101.6 | 10.0x10.0 | 108.0 | 80.0 |
|      |       |       |           |       |      |
|      |       |       |           |       |      |
|      |       |       |           |       |      |

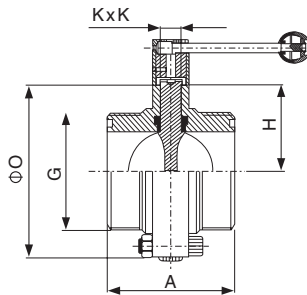


- ◆ Stainless Steel Sanitary Pipe Fitting
- ◆ Valve、Pump、Fluid Facility
- ◆ 不锈钢卫生级管件、阀门、泵、流体设备

卫生级阀门  
SANITARY VALVE

螺纹式蝶阀 Threaded butterfly valve

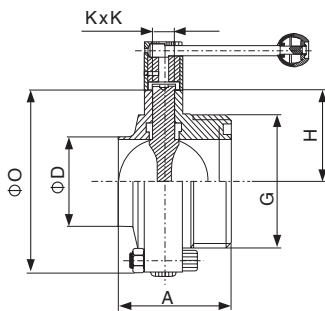
SMS | SBV12



| Size | O     | G         | K x K     | A    | H    |
|------|-------|-----------|-----------|------|------|
| 19   | 78.0  | RD34x1/8  | 8.2x8.2   | 68.0 | 39.0 |
| 25   | 78.0  | RD40x1/6  | 8.2x8.2   | 68.0 | 39.0 |
| 32   | 80.0  | RD48x1/6  | 8.2x8.2   | 68.0 | 40.0 |
| 38   | 88.0  | RD60x1/6  | 8.2x8.2   | 68.0 | 44.0 |
| 51   | 100.0 | RD70x1/6  | 8.2x8.2   | 76.0 | 50.0 |
| 63   | 117.0 | RD85x1/6  | 10.0x10.0 | 80.0 | 58.5 |
| 76   | 129.0 | RD98x1/6  | 10.0x10.0 | 80.0 | 64.5 |
| 89   | 140.0 | RD110x1/6 | 10.0x10.0 | 84.0 | 70.0 |
| 102小 | 160.0 | RD125x1/6 | 10.0x10.0 | 90.0 | 80.0 |
| 102大 | 160.0 | RD132x1/6 | 10.0x10.0 | 90.0 | 80.0 |

单焊单螺蝶阀 Welded/ Threaded butterfly valve

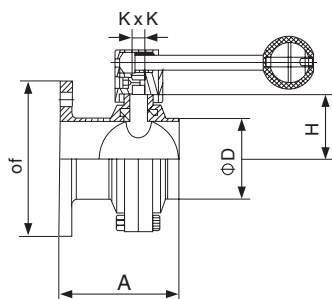
SMS | SBV13



| Size | O     | D     | G         | K x K     | A    | H    |
|------|-------|-------|-----------|-----------|------|------|
| 19   | 78.0  | 19.1  | RD34x1/8  | 8.2x8.2   | 59.0 | 39.0 |
| 25   | 78.0  | 25.4  | RD40x1/6  | 8.2x8.2   | 59.0 | 39.0 |
| 32   | 78.0  | 31.8  | RD48x1/6  | 8.2x8.2   | 59.0 | 40.0 |
| 38   | 88.0  | 38.1  | RD60x1/6  | 8.2x8.2   | 59.0 | 44.0 |
| 51   | 100.0 | 50.8  | RD70x1/6  | 8.2x8.2   | 63.0 | 50.0 |
| 63   | 117.0 | 63.5  | RD85x1/6  | 10.0x10.0 | 68.0 | 58.5 |
| 76   | 129.0 | 76.2  | RD98x1/6  | 10.0x10.0 | 70.0 | 64.5 |
| 89   | 140.0 | 88.9  | RD110x1/6 | 10.0x10.0 | 73.0 | 70.0 |
| 102小 | 160.0 | 101.6 | RD125x1/6 | 10.0x10.0 | 78.0 | 80.0 |
| 102大 | 160.0 | 101.6 | RD132x1/6 | 10.0x10.0 | 78.0 | 80.0 |

单四方法兰单焊接蝶阀 Square-flanged/ welded valve

SMS | SBV14



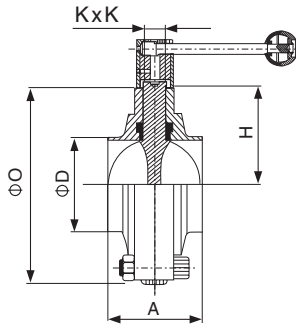
| Size | O     | D    | Of      | A    | K x K   | H    |
|------|-------|------|---------|------|---------|------|
| 19   | 78.0  | 19.1 | 100x100 | 75.0 | 8.2x8.2 | 39.0 |
| 25   | 78.0  | 25.2 | 100x100 | 75.0 | 8.2x8.2 | 39.0 |
| 32   | 80.0  | 31.8 | 100x100 | 75.0 | 8.2x8.2 | 40.0 |
| 38   | 80.0  | 38.1 | 100x100 | 75.0 | 8.2x8.2 | 40.0 |
| 51   | 100.0 | 50.8 | 100x100 | 75.0 | 8.2x8.2 | 50.0 |



- ◆ Stainless Steel Sanitary Pipe Fitting
- ◆ Valve、Pump、Fluid Facility
- ◆ 不锈钢卫生级管件、阀门、泵、流体设备

焊接式蝶阀 Welded butterfly valve

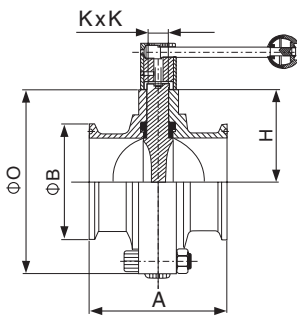
3A | SBV15



| Size   | O     | D     | K x K     | A    | H     |
|--------|-------|-------|-----------|------|-------|
| 1/2"   | 78.0  | 12.7  | 8.2x8.2   | 50.0 | 39.0  |
| 3/4"   | 78.0  | 19.1  | 8.2x8.2   | 50.0 | 39.0  |
| 1"     | 78.0  | 25.4  | 8.2x8.2   | 50.0 | 39.0  |
| 1 1/2" | 80.0  | 38.1  | 8.2x8.2   | 50.0 | 40.0  |
| 2"     | 100.0 | 50.8  | 8.2x8.2   | 50.0 | 50.0  |
| 2 1/2" | 117.0 | 63.5  | 10.0x10.0 | 56.0 | 58.5  |
| 3"     | 129.0 | 76.2  | 10.0x10.0 | 60.0 | 64.5  |
| 4"     | 160.0 | 101.6 | 10.0x10.0 | 66.0 | 80.0  |
| 6"     | 225.0 | 152.4 | 12.0x12.0 | 80.0 | 112.5 |
| 8"     | 285.0 | 203.2 | 14.0x14.0 | 90.0 | 142.5 |

卡箍式蝶阀 Clamed butterfly valve

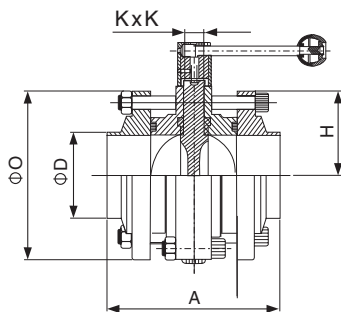
3A | SBV16



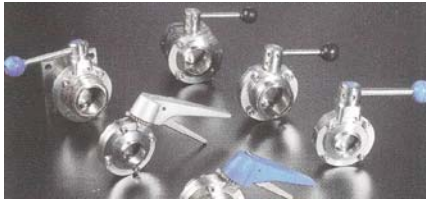
| Size   | O     | B     | K x K     | A     | H     |
|--------|-------|-------|-----------|-------|-------|
| 1/2"   | 78.0  | 25.4  | 8.2x8.2   | 68.0  | 39.0  |
| 3/4"   | 78.0  | 25.4  | 8.2x8.2   | 68.0  | 39.0  |
| 1"     | 78.0  | 50.5  | 8.2x8.2   | 68.0  | 39.0  |
| 1 1/2" | 80.0  | 50.5  | 8.2x8.2   | 72.0  | 40.0  |
| 2"     | 100.0 | 64.0  | 8.2x8.2   | 74.0  | 50.0  |
| 2 1/2" | 117.0 | 77.5  | 10.0x10.0 | 80.0  | 58.5  |
| 3"     | 129.0 | 91.0  | 10.0x10.0 | 80.0  | 64.5  |
| 4"     | 160.0 | 119.0 | 10.0x10.0 | 90.0  | 80.0  |
| 5"     | 190.0 | 145.0 | 12.0x12.0 | 114.0 | 95.0  |
| 6"     | 225.0 | 167.0 | 12.0x12.0 | 120.0 | 112.5 |
| 8"     | 285.0 | 217.0 | 14.0x14.0 | 126.0 | 142.5 |

三片式蝶阀 Three-piece butterfly valve

3A | SBV17



| Size   | O     | D     | K x K     | A     | H     |
|--------|-------|-------|-----------|-------|-------|
| 1/2"   | 78.0  | 12.7  | 8.2x8.2   | 100.0 | 39.0  |
| 3/4"   | 78.0  | 19.1  | 8.2x8.2   | 100.0 | 39.0  |
| 1"     | 78.0  | 25.4  | 8.2x8.2   | 100.0 | 39.0  |
| 1 1/2" | 80.0  | 38.1  | 8.2x8.2   | 100.0 | 40.0  |
| 2"     | 100.0 | 50.8  | 8.2x8.2   | 100.0 | 50.0  |
| 2 1/2" | 117.0 | 63.5  | 10.0x10.0 | 100.0 | 58.5  |
| 3"     | 129.0 | 76.2  | 10.0x10.0 | 100.0 | 64.5  |
| 4"     | 160.0 | 101.6 | 10.0x10.0 | 108.0 | 80.0  |
| 6"     | 225.0 | 152.4 | 12.0x12.0 | 120.0 | 112.5 |
| 8"     | 285.0 | 203.2 | 14.0x14.0 | 130.0 | 142.5 |

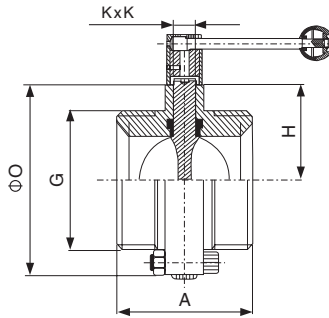


- ◆ Stainless Steel Sanitary Pipe Fitting
- ◆ Valve、Pump、Fluid Facility
- ◆ 不锈钢卫生级管件、阀门、泵、流体设备

SANITARY VALVE  
卫生级阀门

螺纹式蝶阀 Threaded butterfly valve

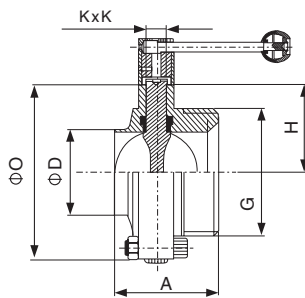
3A | SBV18



| Size   | O     | G            | K x K     | A    | H    |
|--------|-------|--------------|-----------|------|------|
| 1"     | 78.0  | 37.1x6TACME  | 8.2x8.2   | 68.0 | 39.0 |
| 1 1/2" | 80.0  | 50.6x6TACME  | 8.2x8.2   | 68.0 | 40.0 |
| 2"     | 100.0 | 64.2x6TACME  | 8.2x8.2   | 76.0 | 50.0 |
| 2 1/2" | 117.0 | 77.7x6TACME  | 8.2x8.2   | 80.0 | 58.5 |
| 3"     | 129.0 | 91.2x6TACME  | 10.0x10.0 | 80.0 | 64.5 |
| 4"     | 160.0 | 119.2x6TACME | 10.0x10.0 | 90.0 | 80.0 |

单焊单螺蝶阀 Welded/ Threaded butterfly valve

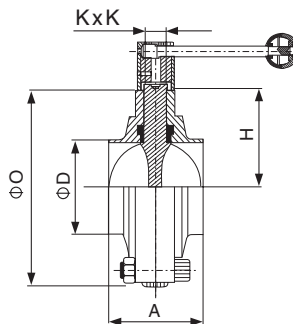
3A | SBV19



| Size   | O     | D     | G            | K x K     | A    | H    |
|--------|-------|-------|--------------|-----------|------|------|
| 1"     | 78.0  | 25.4  | 37.1x8TACME  | 8.2x8.2   | 59.0 | 39.0 |
| 1 1/2" | 80.0  | 38.1  | 50.6x8TACME  | 8.2x8.2   | 59.0 | 40.0 |
| 2"     | 100.0 | 50.8  | 64.2x8TACME  | 8.2x8.2   | 63.0 | 50.0 |
| 2 1/2" | 117.0 | 63.5  | 77.7x8TACME  | 10.0x10.0 | 68.0 | 58.5 |
| 3"     | 129.0 | 76.2  | 91.2x8TACME  | 10.0x10.0 | 70.0 | 64.5 |
| 4"     | 160.0 | 101.6 | 119.2x8TACME | 10.0x10.0 | 78.0 | 80.0 |

焊接式蝶阀 Welded butterfly valve

ISO/IDF | SBV20



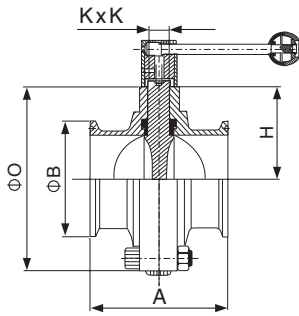
| Size | O     | D     | K x K     | A    | H     |
|------|-------|-------|-----------|------|-------|
| Φ19  | 78.0  | 19.0  | 8.2x8.2   | 50.0 | 39.0  |
| Φ25  | 78.0  | 25.4  | 8.2x8.2   | 50.0 | 39.0  |
| Φ32  | 80.0  | 31.8  | 8.2x8.2   | 50.0 | 40.0  |
| Φ38  | 80.0  | 38.1  | 8.2x8.2   | 50.0 | 40.0  |
| Φ45  | 95.0  | 45.0  | 8.2x8.2   | 50.0 | 47.5  |
| Φ51  | 100.0 | 50.8  | 8.2x8.2   | 50.0 | 50.0  |
| Φ57  | 110.0 | 57.0  | 8.2x8.2   | 50.0 | 55.0  |
| Φ63  | 117.0 | 63.5  | 10.0x10.0 | 56.0 | 58.5  |
| Φ76  | 129.0 | 76.2  | 10.0x10.0 | 60.0 | 64.5  |
| Φ89  | 140.0 | 89.0  | 10.0x10.0 | 62.0 | 70.0  |
| Φ102 | 160.0 | 101.6 | 10.0x10.0 | 66.0 | 80.0  |
| Φ108 | 160.0 | 108.0 | 10.0x10.0 | 66.0 | 80.0  |
| Φ133 | 190.0 | 133.0 | 12.0x12.0 | 74.0 | 95.0  |
| Φ159 | 225.0 | 159.0 | 12.0x12.0 | 80.0 | 112.5 |
| Φ219 | 285.0 | 219.0 | 14.0x14.0 | 86.0 | 142.5 |



- ◆ Stainless Steel Sanitary Pipe Fitting
- ◆ Valve、Pump、Fluid Facility
- ◆ 不锈钢卫生级管件、阀门、泵、流体设备

卡箍式蝶阀 Clamped butterfly valve

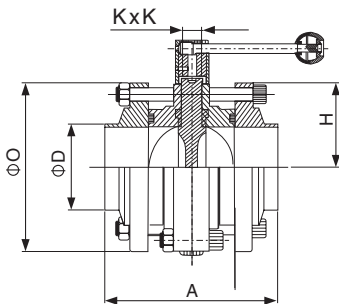
ISO/IDF SBV21



| Size | O     | B     | K x K     | A     | H     |
|------|-------|-------|-----------|-------|-------|
| Φ19  | 78.0  | 25.4  | 8.2x8.2   | 68.0  | 39.0  |
| Φ25  | 78.0  | 50.5  | 8.2x8.2   | 68.0  | 39.0  |
| Φ32  | 80.0  | 50.5  | 8.2x8.2   | 72.0  | 40.0  |
| Φ38  | 80.0  | 50.5  | 8.2x8.2   | 72.0  | 40.0  |
| Φ45  | 95.0  | 64.0  | 8.2x8.2   | 72.0  | 47.5  |
| Φ51  | 100.0 | 64.0  | 8.2x8.2   | 74.0  | 50.0  |
| Φ57  | 110.0 | 77.5  | 8.2x8.2   | 74.0  | 55.0  |
| Φ63  | 117.0 | 77.5  | 10.0x10.0 | 80.0  | 58.5  |
| Φ76  | 129.0 | 91.0  | 10.0x10.0 | 80.0  | 64.5  |
| Φ89  | 140.0 | 106.0 | 10.0x10.0 | 86.0  | 70.0  |
| Φ102 | 160.0 | 119.0 | 10.0x10.0 | 90.0  | 80.0  |
| Φ108 | 160.0 | 119.0 | 10.0x10.0 | 90.0  | 80.0  |
| Φ133 | 190.0 | 145.0 | 12.0x12.0 | 114.0 | 95.0  |
| Φ159 | 225.0 | 183.0 | 12.0x12.0 | 120.0 | 112.5 |
| Φ219 | 285.0 | 233.5 | 14.0x14.0 | 126.0 | 142.5 |

三片式蝶阀 Three-piece butterfly valve

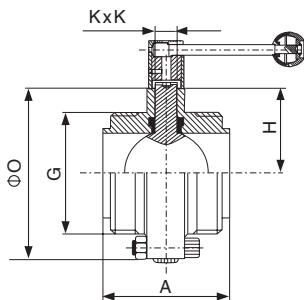
ISO/IDF SBV22



| Size | O     | D     | K x K     | A     | H     |
|------|-------|-------|-----------|-------|-------|
| Φ19  | 78.0  | 19.0  | 8.2x8.2   | 100.0 | 39.0  |
| Φ25  | 78.0  | 25.4  | 8.2x8.2   | 100.0 | 39.0  |
| Φ32  | 80.0  | 31.8  | 8.2x8.2   | 100.0 | 40.0  |
| Φ38  | 80.0  | 38.1  | 8.2x8.2   | 100.0 | 40.0  |
| Φ45  | 95.0  | 45.0  | 8.2x8.2   | 100.0 | 47.5  |
| Φ51  | 100.0 | 50.8  | 8.2x8.2   | 100.0 | 50.0  |
| Φ57  | 110.0 | 57.0  | 8.2x8.2   | 104.0 | 55.0  |
| Φ63  | 117.0 | 63.5  | 10.0x10.0 | 100.0 | 58.5  |
| Φ76  | 129.0 | 76.2  | 10.0x10.0 | 100.0 | 64.5  |
| Φ89  | 140.0 | 89.0  | 10.0x10.0 | 100.0 | 70.0  |
| Φ102 | 160.0 | 101.6 | 10.0x10.0 | 108.0 | 80.0  |
| Φ108 | 160.0 | 108.0 | 10.0x10.0 | 108.0 | 80.0  |
| Φ133 | 190.0 | 133.0 | 12.0x12.0 | 114.0 | 95.0  |
| Φ159 | 225.0 | 159.0 | 12.0x12.0 | 120.0 | 112.5 |
| Φ219 | 285.0 | 219.0 | 14.0x14.0 | 130.0 | 142.5 |

螺纹式蝶阀 Threaded butterfly valve

ISO/IDF SBV23



| Size   | O     | G            | K x K     | A     | H    |
|--------|-------|--------------|-----------|-------|------|
| 1"     | 78.0  | 37.1x8TACME  | 8.0x8.0   | 66.0  | 39.0 |
| 1 1/2" | 88.0  | 50.6x8TACME  | 8.0x8.0   | 70.0  | 43.0 |
| 2"     | 100.0 | 64.2x8TACME  | 10.0x10.0 | 76.0  | 51.0 |
| 2 1/2" | 117.0 | 77.7x8TACME  | 10.0x10.0 | 80.0  | 57.5 |
| 3"     | 129.0 | 91.2x8TACME  | 10.0x10.0 | 84.0  | 64.0 |
| 4"     | 160.0 | 118.4x8TACME | 11.0x11.0 | 104.0 | 77.0 |
| 4"     | 160.0 | 125.9x6TACME | 11.0x11.0 | 104.0 | 77.0 |
|        |       |              |           |       |      |
|        |       |              |           |       |      |
|        |       |              |           |       |      |
|        |       |              |           |       |      |

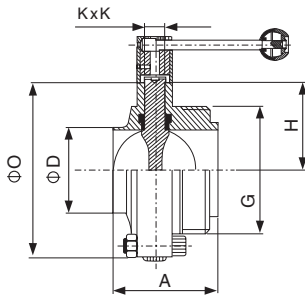


- ◆ Stainless Steel Sanitary Pipe Fitting
- ◆ Valve、Pump、Fluid Facility
- ◆ 不锈钢卫生级管件、阀门、泵、流体设备

SANITARY VALVE  
卫生级阀门

单焊单螺蝶阀 Welded/ Threaded butterfly valve

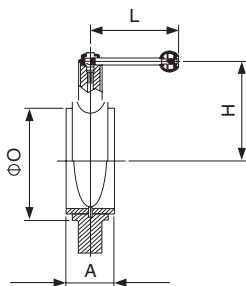
ISO/IDF SBV24



| Size   | O     | D     | G            | K x K     | A    | H    |
|--------|-------|-------|--------------|-----------|------|------|
| 1"     | 78.0  | 25.4  | 37.1x8TACME  | 8.2x8.2   | 57.0 | 39.0 |
| 1 1/2" | 80.0  | 38.1  | 50.6x8TACME  | 8.2x8.2   | 57.0 | 44.0 |
| 2"     | 100.0 | 50.8  | 64.2x8TACME  | 8.2x8.2   | 63.0 | 50.0 |
| 2 1/2" | 117.0 | 63.5  | 77.7x8TACME  | 10.0x10.0 | 68.0 | 58.5 |
| 3"     | 129.0 | 76.2  | 91.2x8TACME  | 10.0x10.0 | 70.0 | 64.5 |
| 4"     | 160.0 | 101.6 | 118.4x8TACME | 10.0x10.0 | 78.0 | 80.0 |
| 4"     | 160.0 | 101.6 | 125.9x6TACME | 10.0x10.0 | 78.0 | 80.0 |
|        |       |       |              |           |      |      |
|        |       |       |              |           |      |      |
|        |       |       |              |           |      |      |
|        |       |       |              |           |      |      |

D71对夹式蝶阀 Wafer butterfly valve

SBV25



| Size  | A    | O     | L     | H     |
|-------|------|-------|-------|-------|
| DN40  | 38.0 | 85.0  | 120.0 | 122.0 |
| DN50  | 39.0 | 95.0  | 120.0 | 127.0 |
| DN65  | 42.0 | 107.0 | 120.0 | 133.0 |
| DN80  | 43.0 | 125.0 | 120.0 | 142.0 |
| DN100 | 46.0 | 156.0 | 150.0 | 158.0 |
| DN125 | 48.0 | 180.0 | 150.0 | 160.0 |
| DN150 | 65.0 | 205.0 | 170.0 | 180.0 |
| DN200 | 60.0 | 252.0 | 210.0 | 195.0 |
|       |      |       |       |       |
|       |      |       |       |       |
|       |      |       |       |       |
|       |      |       |       |       |

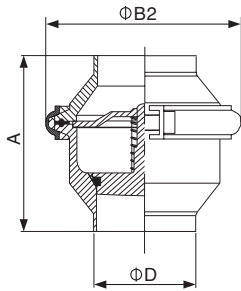




- ◆ Stainless Steel Sanitary Pipe Fitting
- ◆ Valve、Pump、Fluid Facility
- ◆ 不锈钢卫生级管件、阀门、泵、流体设备

焊接式止回阀 Welded check valve

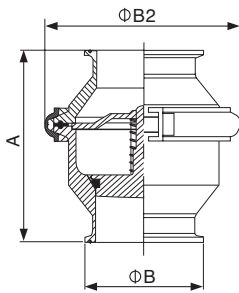
DIN | SCK01



| Size  | B2    | D     | A     |  |  |
|-------|-------|-------|-------|--|--|
| DN15  | 87.0  | 18.0  | 75.0  |  |  |
| DN20  | 87.0  | 22.0  | 75.0  |  |  |
| DN25  | 87.0  | 28.0  | 75.0  |  |  |
| DN32  | 87.0  | 34.0  | 75.0  |  |  |
| DN40  | 87.0  | 40.0  | 75.0  |  |  |
| DN50  | 100.0 | 52.0  | 80.0  |  |  |
| DN65  | 130.0 | 70.0  | 110.0 |  |  |
| DN80  | 155.0 | 85.0  | 115.0 |  |  |
| DN100 | 165.0 | 104.0 | 120.0 |  |  |
|       |       |       |       |  |  |
|       |       |       |       |  |  |
|       |       |       |       |  |  |

卡箍式止回阀 Clamped check valve

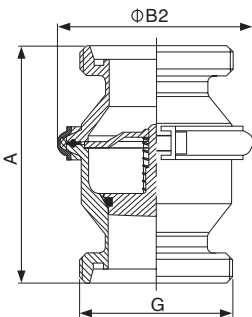
DIN | SCK02



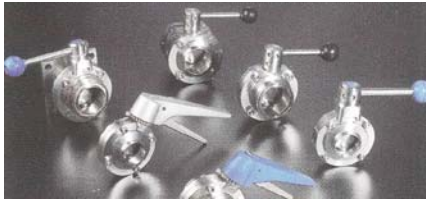
| Size  | B2    | B     | A     |  |  |
|-------|-------|-------|-------|--|--|
| DN15  | 87.0  | 50.5  | 105.0 |  |  |
| DN20  | 87.0  | 50.5  | 105.0 |  |  |
| DN25  | 87.0  | 50.5  | 105.0 |  |  |
| DN32  | 87.0  | 50.5  | 105.0 |  |  |
| DN40  | 87.0  | 50.5  | 105.0 |  |  |
| DN50  | 100.0 | 64.0  | 110.0 |  |  |
| DN65  | 130.0 | 91.0  | 145.0 |  |  |
| DN80  | 155.0 | 106.0 | 150.0 |  |  |
| DN100 | 165.0 | 119.0 | 155.0 |  |  |
|       |       |       |       |  |  |
|       |       |       |       |  |  |
|       |       |       |       |  |  |

螺纹式止回阀 Threaded check valve

DIN | SCK03



| Size  | B2    | G         | A     |  |  |
|-------|-------|-----------|-------|--|--|
| DN15  | 87.0  | RD34x1/8  | 111.0 |  |  |
| DN20  | 87.0  | RD44x1/6  | 115.0 |  |  |
| DN25  | 87.0  | RD52x1/6  | 117.0 |  |  |
| DN32  | 87.0  | RD58x1/6  | 117.0 |  |  |
| DN40  | 87.0  | RD65x1/6  | 117.0 |  |  |
| DN50  | 100.0 | RD78x1/6  | 122.0 |  |  |
| DN65  | 130.0 | RD95x1/6  | 156.0 |  |  |
| DN80  | 155.0 | RD110x1/4 | 167.0 |  |  |
| DN100 | 165.0 | RD130x1/4 | 176.0 |  |  |
|       |       |           |       |  |  |
|       |       |           |       |  |  |
|       |       |           |       |  |  |

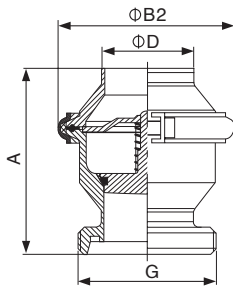


- ◆ Stainless Steel Sanitary Pipe Fitting
- ◆ Valve、Pump、Fluid Facility
- ◆ 不锈钢卫生级管件、阀门、泵、流体设备

卫生级阀门  
SANITARY VALVE

单焊单螺式止回阀 Welded/ threaded check valve

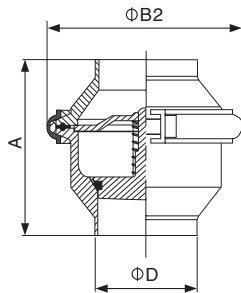
DIN | SCK04



| Size  | B2    | G         | D     | A     |
|-------|-------|-----------|-------|-------|
| DN15  | 87.0  | RD34x1/8  | 18.0  | 93.0  |
| DN20  | 87.0  | RD44x1/6  | 22.0  | 95.0  |
| DN25  | 87.0  | RD52x1/6  | 28.0  | 96.0  |
| DN32  | 87.0  | RD58x1/6  | 34.0  | 96.0  |
| DN40  | 87.0  | RD65x1/6  | 40.0  | 96.0  |
| DN50  | 100.0 | RD78x1/6  | 52.0  | 101.0 |
| DN65  | 130.0 | RD95x1/6  | 70.0  | 133.0 |
| DN80  | 155.0 | RD110x1/4 | 85.0  | 141.0 |
| DN100 | 165.0 | RD130x1/4 | 104.0 | 148.0 |
|       |       |           |       |       |
|       |       |           |       |       |
|       |       |           |       |       |

焊接式止回阀 Welded check valve

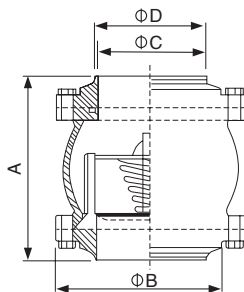
SMS | SCK05



| Size | B2    | D     | A     |
|------|-------|-------|-------|
| 19   | 87.0  | 19.1  | 75.0  |
| 25   | 87.0  | 25.4  | 75.0  |
| 32   | 87.0  | 31.8  | 75.0  |
| 38   | 87.0  | 38.1  | 75.0  |
| 51   | 100.0 | 50.8  | 80.0  |
| 63   | 115.0 | 63.5  | 100.0 |
| 76   | 130.0 | 76.2  | 115.0 |
| 89   | 155.0 | 89.0  | 115.0 |
| 102  | 165.0 | 101.6 | 120.0 |
|      |       |       |       |
|      |       |       |       |
|      |       |       |       |

球型止回阀 Ball-type check valve

SMS | SCK06



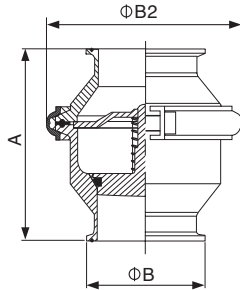
| Size  | A     | B     | C     | D     |
|-------|-------|-------|-------|-------|
| DN40  | 115.0 | 100.0 | 38.0  | 41.0  |
| DN50  | 125.0 | 110.0 | 50.0  | 53.0  |
| DN65  | 135.0 | 130.0 | 66.0  | 70.0  |
| DN80  | 145.0 | 146.0 | 81.0  | 85.0  |
| DN100 | 155.0 | 166.0 | 100.0 | 104.0 |
|       |       |       |       |       |
|       |       |       |       |       |
|       |       |       |       |       |
|       |       |       |       |       |



- ◆ Stainless Steel Sanitary Pipe Fitting
- ◆ Valve、Pump、Fluid Facility
- ◆ 不锈钢卫生级管件、阀门、泵、流体设备

卡箍式止回阀 Clamped check valve

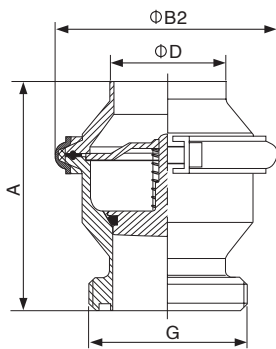
SMS | SCK07



| Size | B2    | D     | A     |  |  |  |
|------|-------|-------|-------|--|--|--|
| 19   | 87.0  | 50.5  | 105.0 |  |  |  |
| 25   | 87.0  | 50.5  | 105.0 |  |  |  |
| 32   | 87.0  | 50.5  | 105.0 |  |  |  |
| 38   | 87.0  | 50.5  | 105.0 |  |  |  |
| 51   | 100.0 | 64.0  | 110.0 |  |  |  |
| 63   | 115.0 | 77.5  | 135.0 |  |  |  |
| 76   | 130.0 | 91.0  | 150.0 |  |  |  |
| 89   | 155.0 | 106.0 | 150.0 |  |  |  |
| 102  | 165.0 | 119.0 | 150.0 |  |  |  |
|      |       |       |       |  |  |  |
|      |       |       |       |  |  |  |
|      |       |       |       |  |  |  |

单焊单螺式止回阀 Welded/ threaded check valve

SMS | SCK08



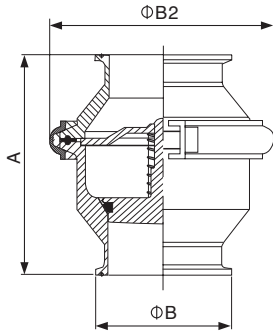
| Size | B2    | G         | D     | A     |  |  |
|------|-------|-----------|-------|-------|--|--|
| 19   | 87.0  | RD34x1/8  | 19.1  | 91.0  |  |  |
| 25   | 87.0  | RD40x1/6  | 25.4  | 93.0  |  |  |
| 32   | 87.0  | RD48x1/6  | 31.8  | 95.0  |  |  |
| 38   | 87.0  | RD60x1/6  | 38.1  | 95.0  |  |  |
| 51   | 100.0 | RD70x1/6  | 50.8  | 101.0 |  |  |
| 63   | 115.0 | RD85x1/6  | 63.5  | 122.0 |  |  |
| 76   | 130.0 | RD98x1/6  | 76.2  | 139.0 |  |  |
| 89   | 155.0 | RD110x1/6 | 88.9  | 141.0 |  |  |
| 102小 | 165.0 | RD125x1/6 | 101.6 | 147.0 |  |  |
| 102大 | 165.0 | RD132x1/6 | 101.6 | 148.0 |  |  |
|      |       |           |       |       |  |  |
|      |       |           |       |       |  |  |
|      |       |           |       |       |  |  |



- ◆ Stainless Steel Sanitary Pipe Fitting
- ◆ Valve、Pump、Fluid Facility
- ◆ 不锈钢卫生级管件、阀门、泵、流体设备

**卡箍式止回阀 Clamped check valve**

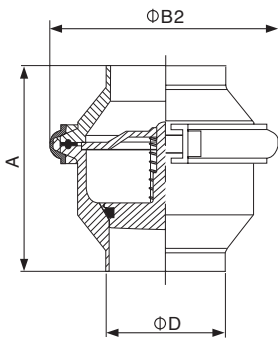
3A | SCK09



| Size   | B2    | B     | A     |  |  |  |
|--------|-------|-------|-------|--|--|--|
| 1/2"   | 87.0  | 25.4  | 105.0 |  |  |  |
| 3/4"   | 87.0  | 25.4  | 105.0 |  |  |  |
| 1"     | 87.0  | 50.5  | 105.0 |  |  |  |
| 1 1/2" | 87.0  | 50.5  | 105.0 |  |  |  |
| 2"     | 100.0 | 64.0  | 110.0 |  |  |  |
| 2 1/2" | 115.0 | 77.5  | 135.0 |  |  |  |
| 3"     | 130.0 | 91.0  | 150.0 |  |  |  |
| 4"     | 165.0 | 119.0 | 155.0 |  |  |  |
|        |       |       |       |  |  |  |
|        |       |       |       |  |  |  |
|        |       |       |       |  |  |  |
|        |       |       |       |  |  |  |

**焊接式止回阀 Welded check valve**

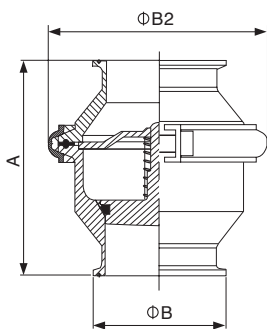
SMS/IDF | SCK10



| Size | B2    | D     | A     |  |  |  |
|------|-------|-------|-------|--|--|--|
| Φ19  | 87.0  | 19.0  | 75.0  |  |  |  |
| Φ25  | 87.0  | 25.4  | 75.0  |  |  |  |
| Φ32  | 87.0  | 32.0  | 75.0  |  |  |  |
| Φ38  | 87.0  | 38.1  | 75.0  |  |  |  |
| Φ45  | 100.0 | 45.0  | 75.0  |  |  |  |
| Φ51  | 100.0 | 50.8  | 80.0  |  |  |  |
| Φ57  | 100.0 | 57.0  | 80.0  |  |  |  |
| Φ63  | 115.0 | 63.5  | 100.0 |  |  |  |
| Φ76  | 130.0 | 76.2  | 115.0 |  |  |  |
| Φ89  | 155.0 | 88.9  | 115.0 |  |  |  |
| Φ102 | 165.0 | 101.6 | 120.0 |  |  |  |
| Φ108 | 165.0 | 108.0 | 120.0 |  |  |  |
|      |       |       |       |  |  |  |
|      |       |       |       |  |  |  |
|      |       |       |       |  |  |  |
|      |       |       |       |  |  |  |

**卡箍式止回阀 Clamped check valve**

SMS/IDF | SCK11



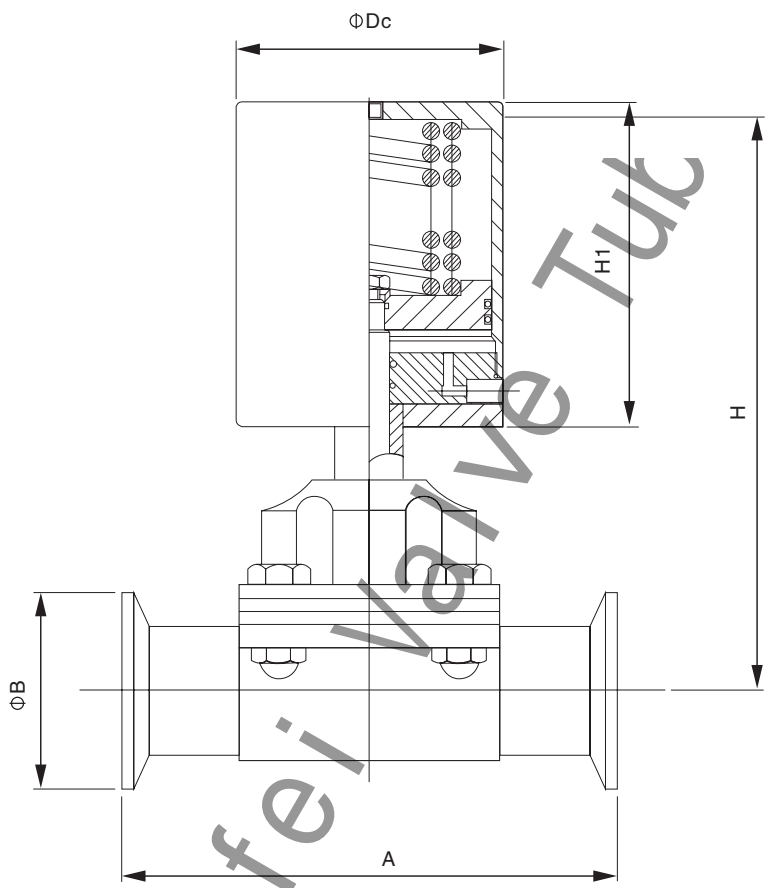
| Size | B2    | B     | A     |  |  |  |
|------|-------|-------|-------|--|--|--|
| Φ25  | 87.0  | 50.5  | 105.0 |  |  |  |
| Φ38  | 87.0  | 50.5  | 105.0 |  |  |  |
| Φ51  | 100.0 | 64.0  | 110.0 |  |  |  |
| Φ63  | 115.0 | 77.5  | 135.0 |  |  |  |
| Φ76  | 130.0 | 91.0  | 150.0 |  |  |  |
| Φ100 | 164.0 | 119.0 | 155.0 |  |  |  |
|      |       |       |       |  |  |  |
|      |       |       |       |  |  |  |
|      |       |       |       |  |  |  |
|      |       |       |       |  |  |  |



- ◆ Stainless Steel Sanitary Pipe Fitting
- ◆ Valve、Pump、Fluid Facility
- ◆ 不锈钢卫生级管件、阀门、泵、流体设备

气动隔膜阀 Pneumatic diaphragm valve

3A | SDV01



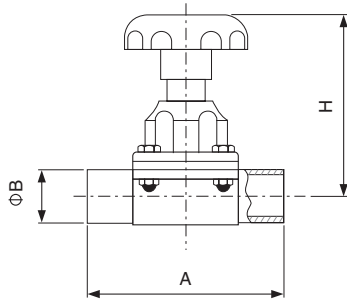
| Size   | A     | B    | H     | H1    | Dc   |  |  |
|--------|-------|------|-------|-------|------|--|--|
| 1/2"   | 107.0 | 25.4 | 156.3 | 98.0  | 63.5 |  |  |
| 3/4"   | 116.0 | 25.4 | 160.0 | 98.0  | 63.5 |  |  |
| 1"     | 125.0 | 50.5 | 176.0 | 98.0  | 63.5 |  |  |
| 1 1/2" | 158.0 | 50.5 | 207.0 | 120.0 | 85.0 |  |  |
| 2"     | 190.0 | 64.0 | 213.4 | 120.0 | 85.0 |  |  |



- ◆ Stainless Steel Sanitary Pipe Fitting
- ◆ Valve、Pump、Fluid Facility
- ◆ 不锈钢卫生级管件、阀门、泵、流体设备

焊接式隔膜阀 Welded diaphragm valve

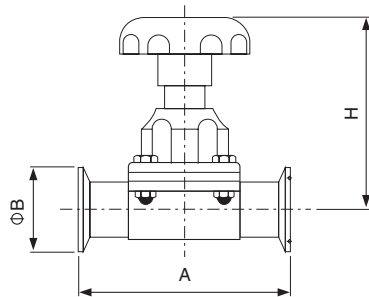
DIN | SDV02



| Size | A     | D    | H       |  |  |
|------|-------|------|---------|--|--|
| DN15 | 100.0 | 18.0 | 88/99   |  |  |
| DN25 | 125.0 | 28.0 | 110/123 |  |  |
| DN32 | 140.0 | 34.0 | 129/138 |  |  |
| DN40 | 150.0 | 40.0 | 139/159 |  |  |
| DN50 | 180.0 | 52.0 | 159/186 |  |  |
|      |       |      |         |  |  |
|      |       |      |         |  |  |
|      |       |      |         |  |  |
|      |       |      |         |  |  |
|      |       |      |         |  |  |

卡箍式隔膜阀 Clamped diaphragm valve

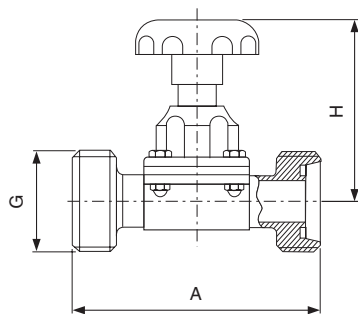
DIN | SDV03



| Size | A     | B    | H       |  |  |
|------|-------|------|---------|--|--|
| DN15 | 107.0 | 34.0 | 88/99   |  |  |
| DN20 | 116.0 | 34.0 | 91/102  |  |  |
| DN25 | 125.0 | 50.5 | 110/123 |  |  |
| DN32 | 146.0 | 50.5 | 129/138 |  |  |
| DN40 | 158.0 | 50.5 | 139/159 |  |  |
| DN50 | 190.0 | 64.0 | 159/186 |  |  |
|      |       |      |         |  |  |
|      |       |      |         |  |  |
|      |       |      |         |  |  |
|      |       |      |         |  |  |
|      |       |      |         |  |  |

螺纹式隔膜阀 Threaded diaphragm valve

DIN | SDV04



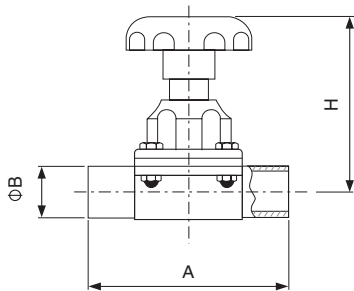
| Size | A     | G        | H       |  |  |
|------|-------|----------|---------|--|--|
| DN20 | 153.0 | RD44x1/6 | 91/102  |  |  |
| DN25 | 165.0 | RD52x1/6 | 110/123 |  |  |
| DN32 | 180.0 | RD58x1/6 | 129/138 |  |  |
| DN40 | 190.0 | RD65x1/6 | 139/159 |  |  |
| DN50 | 222.0 | RD78x1/6 | 159/186 |  |  |
|      |       |          |         |  |  |
|      |       |          |         |  |  |
|      |       |          |         |  |  |
|      |       |          |         |  |  |
|      |       |          |         |  |  |



- ◆ Stainless Steel Sanitary Pipe Fitting
- ◆ Valve、Pump、Fluid Facility
- ◆ 不锈钢卫生级管件、阀门、泵、流体设备

**焊接式隔膜阀 Welded diaphragm valve**

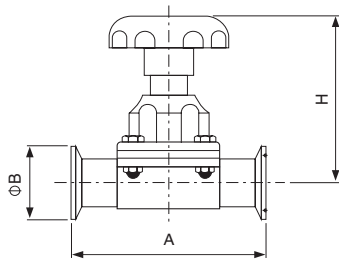
SMS | SDV05



| Size | A     | D    | H       |  |  |
|------|-------|------|---------|--|--|
| 25   | 125.0 | 25.4 | 110/123 |  |  |
| 32   | 140.0 | 31.8 | 129/138 |  |  |
| 38   | 150.0 | 38.1 | 139/159 |  |  |
| 51   | 180.0 | 50.8 | 159/186 |  |  |
|      |       |      |         |  |  |
|      |       |      |         |  |  |
|      |       |      |         |  |  |
|      |       |      |         |  |  |
|      |       |      |         |  |  |
|      |       |      |         |  |  |
|      |       |      |         |  |  |
|      |       |      |         |  |  |
|      |       |      |         |  |  |
|      |       |      |         |  |  |

**卡箍式隔膜阀 Clamped diaphragm valve**

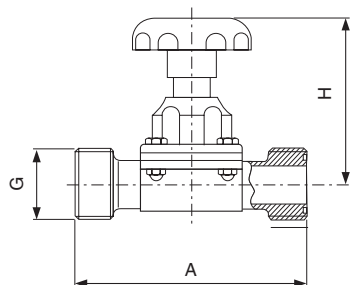
SMS | SDV06



| Size | A     | B    | H       |  |  |
|------|-------|------|---------|--|--|
| 25   | 125.0 | 50.5 | 110/123 |  |  |
| 32   | 146.0 | 50.5 | 129/138 |  |  |
| 38   | 158.0 | 50.5 | 139/159 |  |  |
| 51   | 190.0 | 64.0 | 159/186 |  |  |
|      |       |      |         |  |  |
|      |       |      |         |  |  |
|      |       |      |         |  |  |
|      |       |      |         |  |  |
|      |       |      |         |  |  |
|      |       |      |         |  |  |
|      |       |      |         |  |  |
|      |       |      |         |  |  |
|      |       |      |         |  |  |
|      |       |      |         |  |  |
|      |       |      |         |  |  |

**螺纹式隔膜阀 Threaded diaphragm valve**

SMS | SDV07



| Size | A     | B        | H       |  |  |
|------|-------|----------|---------|--|--|
| 25   | 161.0 | RD40x1/6 | 110/123 |  |  |
| 32   | 176.0 | RD48x1/6 | 129/138 |  |  |
| 38   | 190.0 | RD60x1/6 | 139/159 |  |  |
| 51   | 220.0 | RD70x1/6 | 159/186 |  |  |
|      |       |          |         |  |  |
|      |       |          |         |  |  |
|      |       |          |         |  |  |
|      |       |          |         |  |  |
|      |       |          |         |  |  |
|      |       |          |         |  |  |
|      |       |          |         |  |  |
|      |       |          |         |  |  |
|      |       |          |         |  |  |
|      |       |          |         |  |  |
|      |       |          |         |  |  |

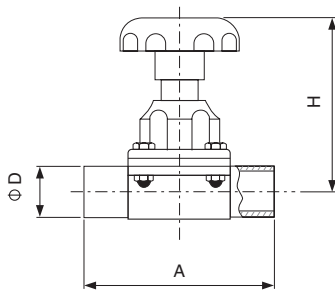


- ◆ Stainless Steel Sanitary Pipe Fitting
- ◆ Valve、Pump、Fluid Facility
- ◆ 不锈钢卫生级管件、阀门、泵、流体设备

SANITARY VALVE 卫生级阀门

焊接式隔膜阀 Welded diaphragm valve

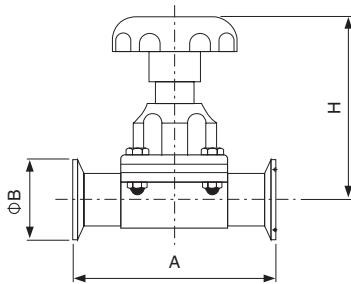
3A | SDV08



| Size   | A     | D    | H       |  |  |
|--------|-------|------|---------|--|--|
| 1/2"   | 100.0 | 12.7 | 88/99   |  |  |
| 3/4"   | 100.0 | 19.0 | 88/99   |  |  |
| 1"     | 125.0 | 25.4 | 110/123 |  |  |
| 1 1/4" | 140.0 | 31.8 | 129/138 |  |  |
| 1 1/2" | 150.0 | 38.1 | 139/159 |  |  |
| 2"     | 180.0 | 50.8 | 159/186 |  |  |
|        |       |      |         |  |  |
|        |       |      |         |  |  |
|        |       |      |         |  |  |
|        |       |      |         |  |  |
|        |       |      |         |  |  |
|        |       |      |         |  |  |

卡箍式隔膜阀 Clamped diaphragm valve

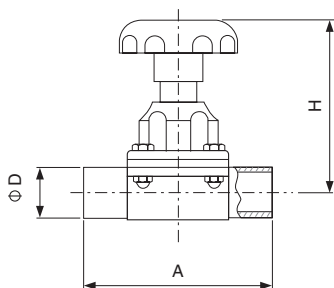
3A | SDV09



| Size   | A     | B    | H       |  |  |
|--------|-------|------|---------|--|--|
| 1/2"   | 107.0 | 25.4 | 88/99   |  |  |
| 3/4"   | 116.0 | 25.4 | 91/102  |  |  |
| 1"     | 125.0 | 50.5 | 110/123 |  |  |
| 1 1/2" | 158.0 | 50.5 | 139/159 |  |  |
| 2"     | 190.0 | 64.0 | 159/186 |  |  |
|        |       |      |         |  |  |
|        |       |      |         |  |  |
|        |       |      |         |  |  |
|        |       |      |         |  |  |
|        |       |      |         |  |  |
|        |       |      |         |  |  |

焊接式隔膜阀 Welded diaphragm valve

ISO/IDF | SDV10



| Size   | A     | D    | H       |  |  |
|--------|-------|------|---------|--|--|
| 3/4"   | 100.0 | 19.0 | 88/99   |  |  |
| 1"     | 125.0 | 25.4 | 110/123 |  |  |
| 1 1/4" | 140.0 | 31.8 | 129/138 |  |  |
| 1 1/2" | 150.0 | 38.1 | 139/159 |  |  |
| 2"     | 180.0 | 50.8 | 159/186 |  |  |
|        |       |      |         |  |  |
|        |       |      |         |  |  |
|        |       |      |         |  |  |
|        |       |      |         |  |  |
|        |       |      |         |  |  |
|        |       |      |         |  |  |

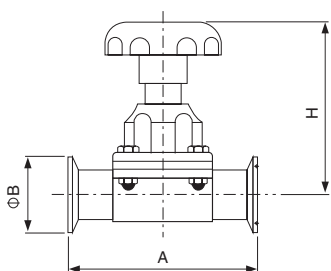




- ◆ Stainless Steel Sanitary Pipe Fitting
- ◆ Valve、Pump、Fluid Facility
- ◆ 不锈钢卫生级管件、阀门、泵、流体设备

卡箍式隔膜阀 Clamped diaphragm valve

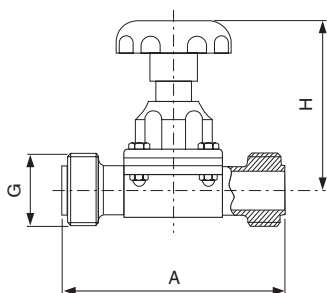
ISO/IDF | SDV11



| Size   | A     | D    | H       |  |  |
|--------|-------|------|---------|--|--|
| 3/4"   | 116.0 | 25.4 | 88/99   |  |  |
| 1"     | 125.0 | 50.5 | 110/123 |  |  |
| 1 1/4" | 146.0 | 50.5 | 129/138 |  |  |
| 1 1/2" | 158.0 | 50.5 | 139/159 |  |  |
| 2"     | 190.0 | 64.0 | 159/186 |  |  |
|        |       |      |         |  |  |
|        |       |      |         |  |  |
|        |       |      |         |  |  |
|        |       |      |         |  |  |
|        |       |      |         |  |  |
|        |       |      |         |  |  |
|        |       |      |         |  |  |
|        |       |      |         |  |  |
|        |       |      |         |  |  |
|        |       |      |         |  |  |

螺纹式隔膜阀 Threaded diaphragm valve

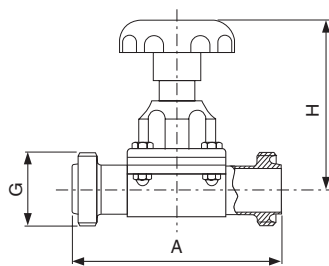
ISO/IDF | SDV12



| Size   | A     | G           | H       |  |  |
|--------|-------|-------------|---------|--|--|
| 1"     | 168.0 | 37.1x8TACME | 110/123 |  |  |
| 1 1/2" | 193.0 | 50.6x8TACME | 139/159 |  |  |
| 2"     | 223.0 | 64.2x8TACME | 159/186 |  |  |
|        |       |             |         |  |  |
|        |       |             |         |  |  |
|        |       |             |         |  |  |
|        |       |             |         |  |  |
|        |       |             |         |  |  |
|        |       |             |         |  |  |
|        |       |             |         |  |  |
|        |       |             |         |  |  |
|        |       |             |         |  |  |
|        |       |             |         |  |  |
|        |       |             |         |  |  |
|        |       |             |         |  |  |
|        |       |             |         |  |  |

螺纹式隔膜阀 Threaded diaphragm valve

RJT | SDV13



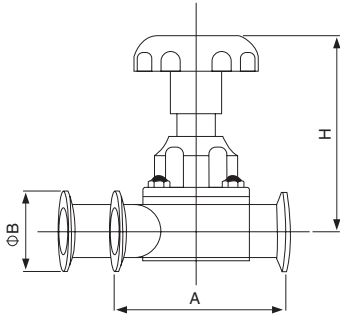
| Size   | A     | G             | H       |  |  |
|--------|-------|---------------|---------|--|--|
| 1"     | 179.0 | 45.7x1/8TWHIT | 110/123 |  |  |
| 1 1/2" | 204.0 | 58.4x1/8TWHIT | 139/159 |  |  |
| 2"     | 234.0 | 72.7x1/6TWHIT | 159/186 |  |  |
|        |       |               |         |  |  |
|        |       |               |         |  |  |
|        |       |               |         |  |  |
|        |       |               |         |  |  |
|        |       |               |         |  |  |
|        |       |               |         |  |  |
|        |       |               |         |  |  |
|        |       |               |         |  |  |
|        |       |               |         |  |  |
|        |       |               |         |  |  |
|        |       |               |         |  |  |
|        |       |               |         |  |  |
|        |       |               |         |  |  |
|        |       |               |         |  |  |



- ◆ Stainless Steel Sanitary Pipe Fitting
- ◆ Valve、Pump、Fluid Facility
- ◆ 不锈钢卫生级管件、阀门、泵、流体设备

U型三通隔膜阀 U-type three-way diaphragm valve

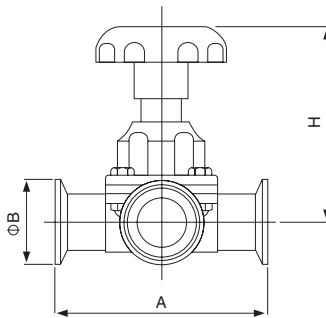
SDV14



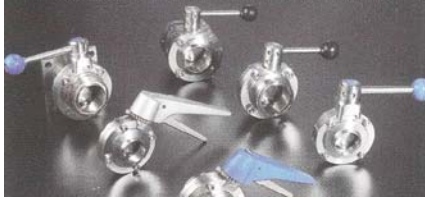
| Size   | A     | B    | H       |  |  |
|--------|-------|------|---------|--|--|
| 1"     | 255.0 | 50.5 | 110/123 |  |  |
| 1 1/4" | 303.0 | 50.5 | 129/138 |  |  |
| 1 1/2" | 319.0 | 50.5 | 139/159 |  |  |
| 2"     | 368.0 | 64.0 | 159/186 |  |  |
|        |       |      |         |  |  |
|        |       |      |         |  |  |
|        |       |      |         |  |  |
|        |       |      |         |  |  |
|        |       |      |         |  |  |
|        |       |      |         |  |  |
|        |       |      |         |  |  |
|        |       |      |         |  |  |
|        |       |      |         |  |  |
|        |       |      |         |  |  |

三通隔膜阀 Three-way diaphragm valve

SDV15



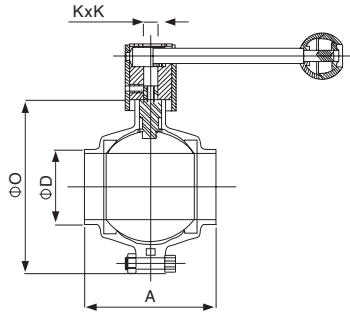
| Size   | A     | B    | H       |  |  |
|--------|-------|------|---------|--|--|
| 1"     | 129.0 | 50.5 | 110/123 |  |  |
| 1 1/4" | 147.0 | 50.5 | 129/138 |  |  |
| 1 1/2" | 159.0 | 50.5 | 139/159 |  |  |
| 2"     | 190.0 | 64.0 | 159/186 |  |  |
|        |       |      |         |  |  |
|        |       |      |         |  |  |
|        |       |      |         |  |  |
|        |       |      |         |  |  |
|        |       |      |         |  |  |
|        |       |      |         |  |  |
|        |       |      |         |  |  |
|        |       |      |         |  |  |
|        |       |      |         |  |  |
|        |       |      |         |  |  |
|        |       |      |         |  |  |



- ◆ Stainless Steel Sanitary Pipe Fitting
- ◆ Valve、Pump、Fluid Facility
- ◆ 不锈钢卫生级管件、阀门、泵、流体设备

焊接式蝶式球阀 Welded butterfly-type ball valve

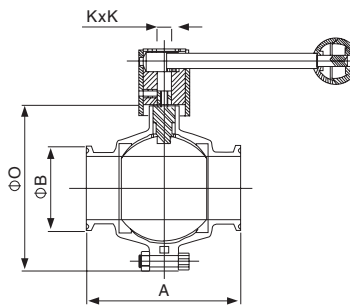
DIN BV01



| Size | A    | O     | D    | K x K |
|------|------|-------|------|-------|
| DN15 | 66.0 | 78.0  | 18.0 | 8x8   |
| DN20 | 66.0 | 86.0  | 22.0 | 8x8   |
| DN25 | 70.0 | 90.0  | 28.0 | 10x10 |
| DN32 | 70.0 | 90.0  | 34.0 | 10x10 |
| DN40 | 70.0 | 102.0 | 40.0 | 11x11 |
| DN50 | 94.0 | 124.0 | 52.0 | 11x11 |
|      |      |       |      |       |
|      |      |       |      |       |
|      |      |       |      |       |
|      |      |       |      |       |
|      |      |       |      |       |
|      |      |       |      |       |
|      |      |       |      |       |

卡箍蝶式球阀 Clamped butterfly-type ball valve

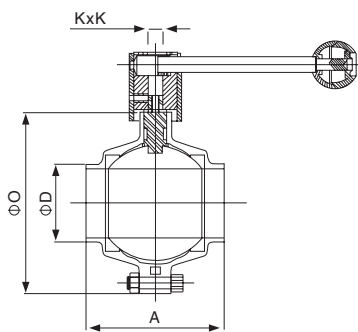
DIN BV02



| Size | A     | O     | B    | K x K |
|------|-------|-------|------|-------|
| DN15 | 91.0  | 78.0  | 34.0 | 8x8   |
| DN20 | 91.0  | 86.0  | 34.0 | 8x8   |
| DN25 | 95.0  | 90.0  | 50.5 | 10x10 |
| DN32 | 95.0  | 90.0  | 50.5 | 10x10 |
| DN40 | 95.0  | 102.0 | 50.5 | 11x11 |
| DN50 | 119.0 | 124.0 | 64.0 | 11x11 |
|      |       |       |      |       |
|      |       |       |      |       |
|      |       |       |      |       |
|      |       |       |      |       |
|      |       |       |      |       |
|      |       |       |      |       |
|      |       |       |      |       |
|      |       |       |      |       |

焊接式蝶式球阀 Welded butterfly-type ball valve

SMS BV03



| Size   | A    | O     | D    | K x K |
|--------|------|-------|------|-------|
| 1"     | 66.0 | 86.0  | 25.4 | 8x8   |
| 1 1/4" | 70.0 | 90.0  | 32.0 | 10x10 |
| 1 1/2" | 70.0 | 102.0 | 38.1 | 11x11 |
| 2"     | 94.0 | 124.0 | 50.8 | 11x11 |
|        |      |       |      |       |
|        |      |       |      |       |
|        |      |       |      |       |
|        |      |       |      |       |
|        |      |       |      |       |
|        |      |       |      |       |
|        |      |       |      |       |
|        |      |       |      |       |
|        |      |       |      |       |
|        |      |       |      |       |
|        |      |       |      |       |
|        |      |       |      |       |
|        |      |       |      |       |
|        |      |       |      |       |

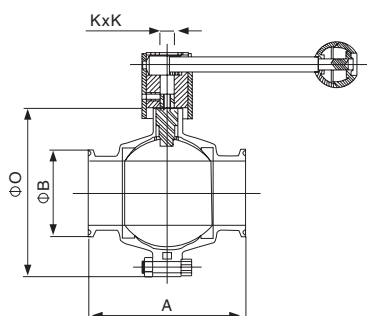


- ◆ Stainless Steel Sanitary Pipe Fitting
- ◆ Valve、Pump、Fluid Facility
- ◆ 不锈钢卫生级管件、阀门、泵、流体设备

卫生级阀门  
SANITARY VALVE

### 卡箍蝶式球阀 Clamped butterfly-type ball valve

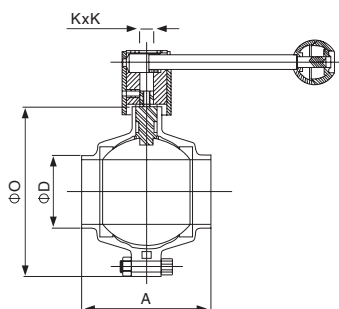
SMS | BV04



| Size   | A     | O     | B    | K x K |
|--------|-------|-------|------|-------|
| 1"     | 91.0  | 86.0  | 50.5 | 8x8   |
| 1 1/4" | 95.0  | 90.0  | 50.5 | 10x10 |
| 1 1/2" | 95.0  | 102.0 | 50.5 | 11x11 |
| 2"     | 119.0 | 124.0 | 64.0 | 11x11 |
|        |       |       |      |       |
|        |       |       |      |       |
|        |       |       |      |       |
|        |       |       |      |       |
|        |       |       |      |       |

### 焊接式蝶式球阀 Welded butterfly-type ball valve

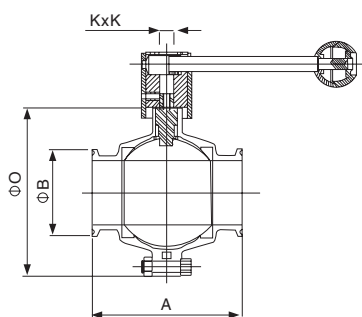
3A | BV05



| Size   | A    | O     | D    | K x K |
|--------|------|-------|------|-------|
| 1/2"   | 66.0 | 78.0  | 12.7 | 8x8   |
| 3/4"   | 66.0 | 78.0  | 19.1 | 8x8   |
| 1"     | 66.0 | 86.0  | 25.4 | 8x8   |
| 1 1/2" | 70.0 | 102.0 | 38.1 | 11x11 |
| 2"     | 94.0 | 124.0 | 50.8 | 11x11 |
|        |      |       |      |       |
|        |      |       |      |       |
|        |      |       |      |       |
|        |      |       |      |       |
|        |      |       |      |       |

### 卡箍蝶式球阀 Clamped butterfly-type ball valve

3A | BV06



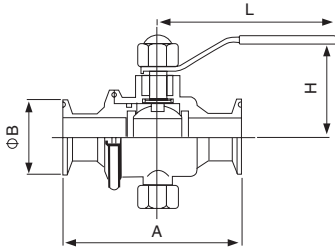
| Size   | A     | O     | B    | K x K |
|--------|-------|-------|------|-------|
| 1/2"   | 91.0  | 78.0  | 25.4 | 8x8   |
| 3/4"   | 91.0  | 78.0  | 25.4 | 8x8   |
| 1"     | 91.0  | 86.0  | 50.5 | 8x8   |
| 1 1/2" | 95.0  | 102.0 | 50.5 | 11x11 |
| 2"     | 119.0 | 124.0 | 64.0 | 11x11 |
|        |       |       |      |       |
|        |       |       |      |       |
|        |       |       |      |       |
|        |       |       |      |       |
|        |       |       |      |       |



- ◆ Stainless Steel Sanitary Pipe Fitting
- ◆ Valve、Pump、Fluid Facility
- ◆ 不锈钢卫生级管件、阀门、泵、流体设备

卡箍式无滞留球阀 Clamped non-retention ball valve

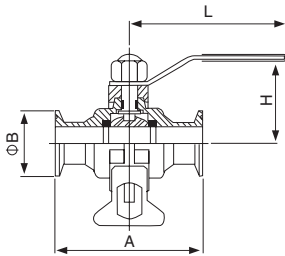
DIN 3A ISO BV07



| Size   |    | A     | B    | H     | L     |
|--------|----|-------|------|-------|-------|
| 3/4"   | 19 | 105.0 | 25.4 | 55.0  | 125.0 |
| 1"     | 25 | 125.0 | 50.5 | 55.0  | 140.0 |
| 1 1/4" | 32 | 132.0 | 50.5 | 65.0  | 150.0 |
| 1 1/2" | 38 | 140.0 | 50.5 | 65.0  | 160.0 |
| 2"     | 51 | 159.0 | 64.0 | 85.0  | 180.0 |
| 2 1/2" | 63 | 180.0 | 77.5 | 100.0 | 200.0 |
|        |    |       |      |       |       |
|        |    |       |      |       |       |

卡箍式无滞留球阀 Clamped non-retention ball valve

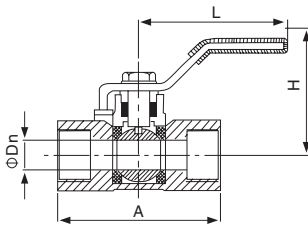
SMS 3A ISO BV08



| Size   |    | A     | B    | H     | L     |
|--------|----|-------|------|-------|-------|
| 3/4"   | 19 | 90.0  | 25.4 | 65.0  | 105.0 |
| 1"     | 25 | 110.0 | 50.5 | 70.0  | 105.0 |
| 1 1/4" | 32 | 120.0 | 50.5 | 80.0  | 130.0 |
| 1 1/2" | 38 | 140.0 | 50.5 | 80.0  | 150.0 |
| 2"     | 51 | 164.0 | 64.0 | 85.0  | 160.0 |
| 2 1/4" | 57 | 170.0 | 77.5 | 110.0 | 180.0 |
| 2 1/2" | 63 | 180.0 | 77.5 | 110.0 | 180.0 |
|        |    |       |      |       |       |
|        |    |       |      |       |       |

一片式球阀 One-piece ball valve

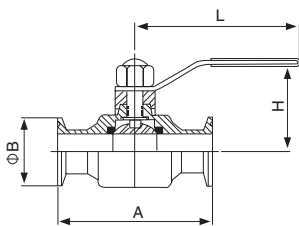
BV09



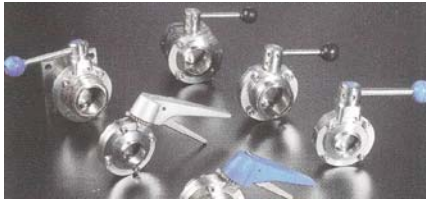
| Size   | A     | Dn   | H    | L     |
|--------|-------|------|------|-------|
| 1/2"   | 58.0  | 9.2  | 43.5 | 90.0  |
| 3/4"   | 60.0  | 12.5 | 47.0 | 90.0  |
| 1"     | 72.0  | 15.0 | 50.0 | 103.0 |
| 1 1/4" | 78.0  | 20.0 | 57.0 | 103.0 |
| 1 1/2" | 83.0  | 24.5 | 69.0 | 127.0 |
| 2"     | 100.0 | 32.0 | 74.5 | 127.0 |
|        |       |      |      |       |
|        |       |      |      |       |

二片式卡箍球阀 Two-piece clamped ball valve

SMS 3A ISO BV10



| Size   |    | A     | B    | H    | L     |
|--------|----|-------|------|------|-------|
| 3/4"   | 19 | 95.0  | 50.5 | 55.0 | 105.0 |
| 1"     | 25 | 115.0 | 50.5 | 55.0 | 105.0 |
| 1 1/4" | 32 | 120.0 | 50.5 | 65.0 | 130.0 |
| 1 1/2" | 38 | 140.0 | 50.5 | 65.0 | 150.0 |
| 2"     | 51 | 165.0 | 64.0 | 85.0 | 160.0 |
|        |    |       |      |      |       |
|        |    |       |      |      |       |

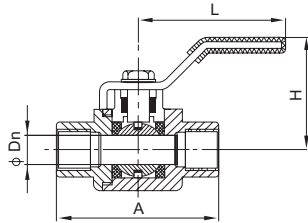


- ◆ Stainless Steel Sanitary Pipe Fitting
- ◆ Valve、Pump、Fluid Facility
- ◆ 不锈钢卫生级管件、阀门、泵、流体设备

卫生级阀门  
SANITARY VALVE

### 二片式球阀 Two-piece ball valve

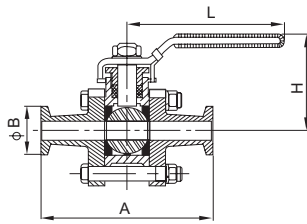
BV11



| Size   | A     | Dn    | H     | L     |  |  |
|--------|-------|-------|-------|-------|--|--|
| 1/2"   | 65.0  | 15.0  | 60.0  | 130.0 |  |  |
| 3/4"   | 75.0  | 20.0  | 64.0  | 130.0 |  |  |
| 1"     | 88.0  | 25.0  | 71.0  | 165.0 |  |  |
| 1 1/4" | 102.0 | 32.0  | 78.0  | 165.0 |  |  |
| 1 1/2" | 110.0 | 38.0  | 86.0  | 190.0 |  |  |
| 2"     | 125.0 | 50.0  | 95.0  | 190.0 |  |  |
| 2 1/2" | 162.0 | 65.0  | 130.0 | 250.0 |  |  |
| 3"     | 189.0 | 80.0  | 148.0 | 250.0 |  |  |
| 4"     | 260.0 | 100.0 | 180.0 | 280.0 |  |  |

### 三片式卡箍球阀 Three-piece clamped ball valve

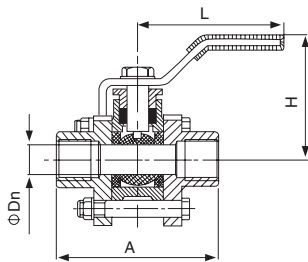
BV12



| Size   | A     | B     | H     | L     |  |  |
|--------|-------|-------|-------|-------|--|--|
| 1/2"   | 75.0  | 25.0  | 64.0  | 125.0 |  |  |
| 3/4"   | 90.0  | 50.5  | 67.0  | 125.0 |  |  |
| 1"     | 100.0 | 50.5  | 83.0  | 140.0 |  |  |
| 1 1/4" | 110.0 | 50.5  | 89.0  | 140.0 |  |  |
| 1 1/2" | 125.0 | 50.5  | 100.0 | 200.0 |  |  |
| 2"     | 150.0 | 64.0  | 108.0 | 200.0 |  |  |
| 2 1/2" | 190.0 | 77.5  | 150.0 | 250.0 |  |  |
| 3"     | 220.0 | 91.0  | 161.0 | 250.0 |  |  |
| 4"     | 270.0 | 119.0 | 180.0 | 290.0 |  |  |

### 三片式内螺纹球阀 Three-piece female threaded ball valve

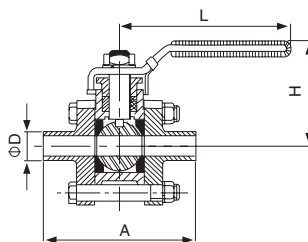
BV13



| Size   | Dn    | A     | H     | L     |  |  |
|--------|-------|-------|-------|-------|--|--|
| 1/2"   | 15.0  | 130.0 | 130.0 | 72.0  |  |  |
| 3/4"   | 20.0  | 130.0 | 130.0 | 85.0  |  |  |
| 1"     | 25.0  | 165.0 | 165.0 | 90.0  |  |  |
| 1 1/4" | 32.0  | 165.0 | 165.0 | 112.0 |  |  |
| 1 1/2" | 38.0  | 190.0 | 190.0 | 120.0 |  |  |
| 2"     | 50.0  | 190.0 | 190.0 | 145.0 |  |  |
| 2 1/2" | 65.0  | 250.0 | 250.0 | 185.0 |  |  |
| 3"     | 80.0  | 250.0 | 250.0 | 210.0 |  |  |
| 4"     | 100.0 | 280.0 | 280.0 | 268.0 |  |  |

### 三片式焊接式球阀 Three-piece welded ball valve

BV14



| Size   | A     | D     | H     | L     |  |  |
|--------|-------|-------|-------|-------|--|--|
| 1/2"   | 72.0  | 22.7  | 60.0  | 130.0 |  |  |
| 3/4"   | 85.0  | 27.5  | 64.0  | 130.0 |  |  |
| 1"     | 90.0  | 33.5  | 71.0  | 165.0 |  |  |
| 1 1/4" | 112.0 | 42.0  | 78.0  | 165.0 |  |  |
| 1 1/2" | 120.0 | 48.6  | 86.0  | 190.0 |  |  |
| 2"     | 145.0 | 60.5  | 95.0  | 190.0 |  |  |
| 2 1/2" | 185.0 | 76.3  | 130.0 | 250.0 |  |  |
| 3"     | 215.0 | 90.0  | 148.0 | 250.0 |  |  |
| 4"     | 270.0 | 106.5 | 173.0 | 280.0 |  |  |